

Product Features

P1CO-24FEL-05/09-LP is a 2.4mm female (jack) 50 Ohm connector that operates to 50 GHz. It is a low profile edge launch connector that offers best electrical match when mating with Microstrip printed circuit boards. This 50 GHz connector is field replaceable (non-solder attachment to PCB). The connector material is passivated stainless steel. Adjustable to accommodate PCB thickness up to 0.100 inch (2.54mm).

Dimension (A) Board: The center contact (pin) diameter is .005 inch (0.13mm).

Dimension (B) Internal : The internal pin diameter is .009 inch (0.23mm).

Dimension (C) Dielectric: The dielectric diameter is .029 inch (0.74mm).



Electrical Specification: T_{Ambient} = 25° C

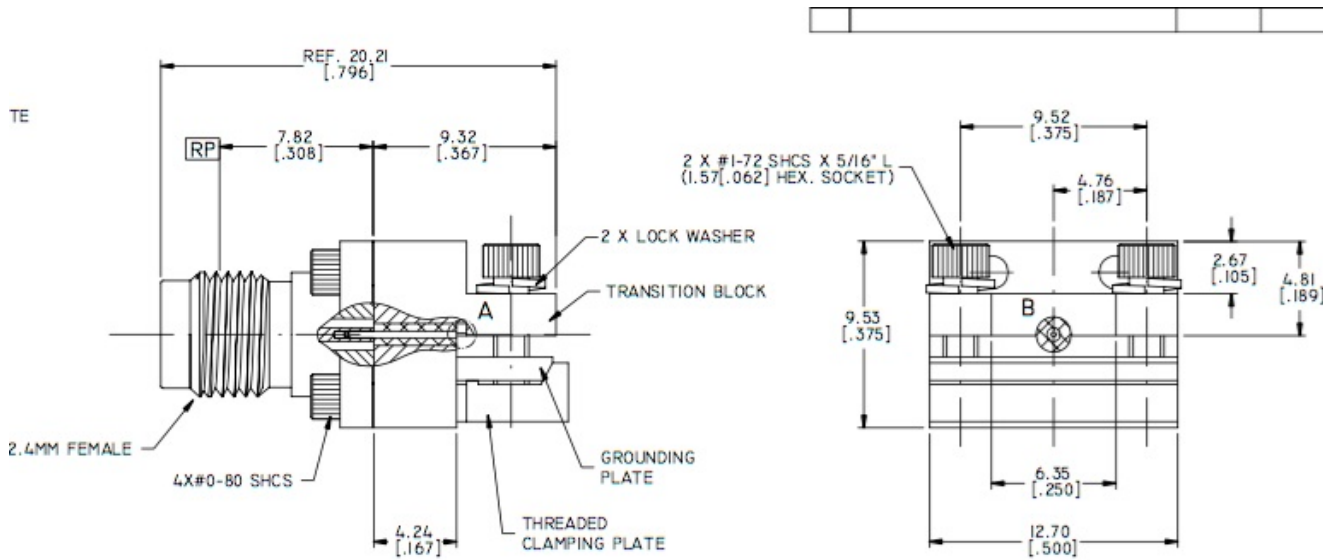
Parameter	Frequency Range	Units	Min	Typical	Max	Notes
Frequency Range		GHz	DC		50.0	
Impedance				50.0		

Mechanical And Environmental Specifications:

Parameter	Description	Notes
RoHS Compliance	Yes	

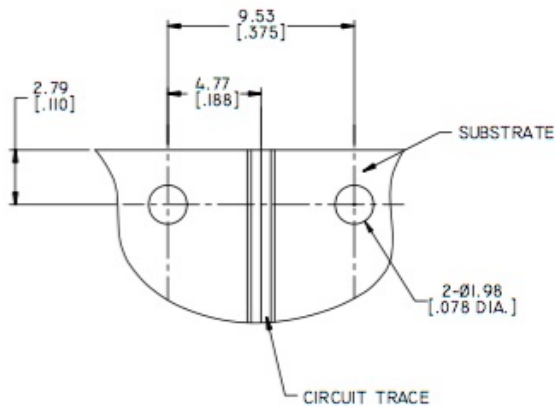
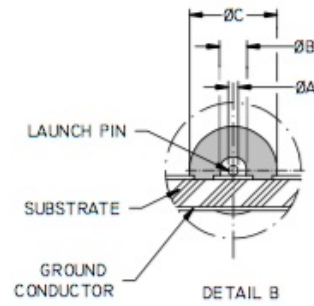
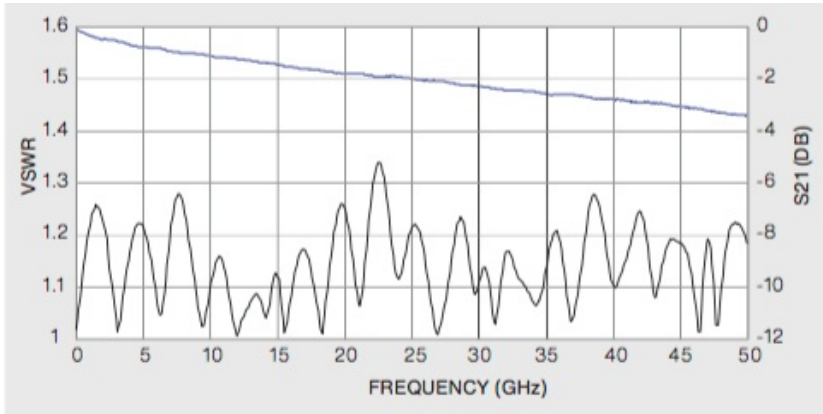
Drawing

2.4 mm female end launch PCB connector, low profile, .005 inch (0.13mm) diameter pin. Operating DC to 50 GHz.



PLATED

Graph



2.4 mm female end launch PCB connector, low profile, .005 inch (0.13mm) diameter pin. Operating DC to 50 GHz.

Product Notes

Mating Torque: 5 to 7 in-lb

PCB mounting: 12 in-oz

Compare to 1492-04A-6