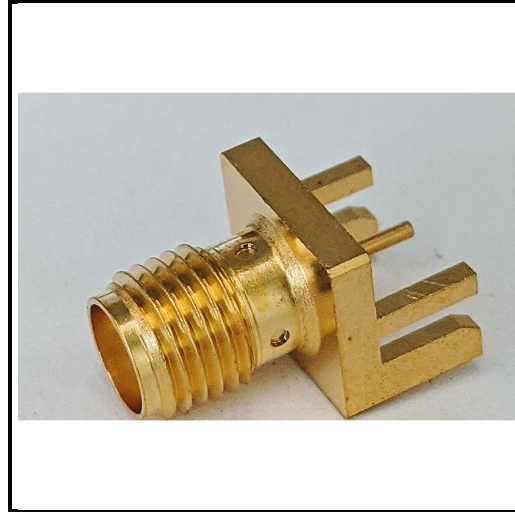


# P1CO-SAFE-P030-G068

SMA Connector, Female Edge Mount for .068 inch PCB, 18 GHz

## Product Features

P1dB's P1CO-SAFE-P030-G068 is a 50 Ohm RF connector that launches to a printed circuit board. The connector is SMA female (jack) and is an edge launch PCB style for a .068 inch thick board. The SMA body material is gold plated brass and the connector is designed to operate DC to 18 GHz. The center contact pin is 0.031 inch diameter. Overall connector length is 0.559 inch (14.2mm).



Electrical Specification:  $T_{\text{Ambient}} = 25^{\circ}\text{C}$

Parameter	Frequency Range	Units	Min	Typical	Max	Notes
Frequency Range		GHz	DC		18.0	
Impedance				50.0		

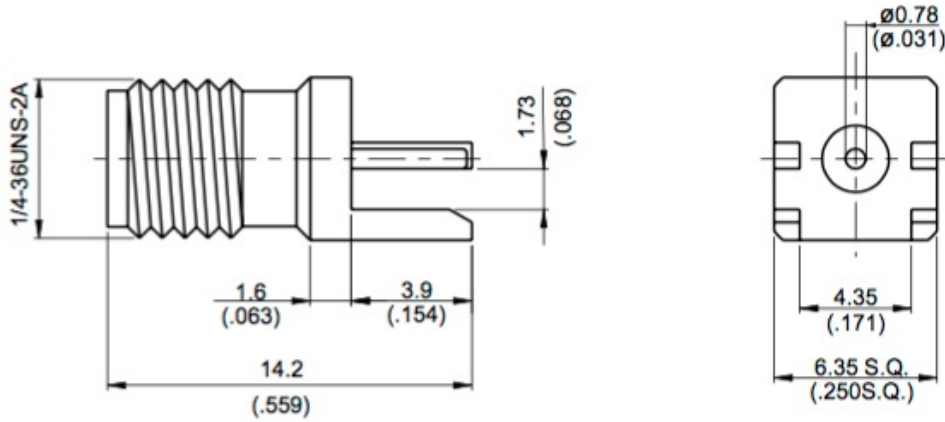
Mechanical And Environmental Specifications:

Parameter	Description	Notes
RoHS Compliance	Yes	

Drawing

# P1CO-SAFE-P030-G068

SMA Connector, Female Edge Mount for .068 inch PCB, 18 GHz



## Product Notes

Temp range -65 to +165 deg C.