

P1-SPM/PIGTAIL-SS085-14

SMP Male to RF Test Probe/Pigtail (no connector) cable assembly, SS085 flex cable (0.104 inch OD), 14 inch. Connector is SMP male bulkhead . Trimmed Pigtail end to expose dielectric and center contact. Frequency DC to 12 GHz. Max VSWR 1.40.

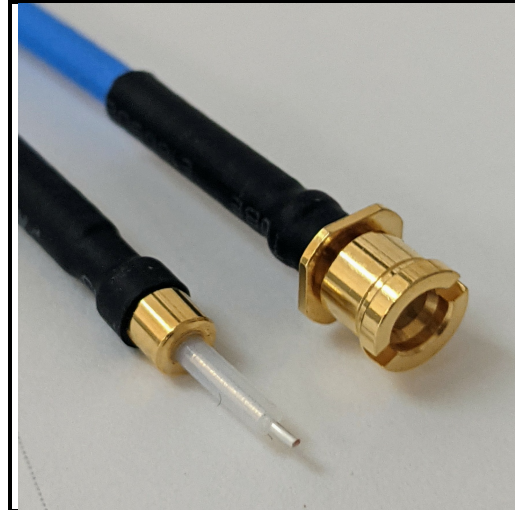
Product Features

SMP Male to Pigtail (no connector) cable assembly, SS085 flex cable (0.104 inch OD), 14 inch.

Connector is SMP male bulkhead .

Trimmed Pigtail end to expose dielectric and center contact.

Frequency DC to 12 GHz. Max VSWR 1.40.



Electrical Specification: $T_{\text{Ambient}} = 25^{\circ}\text{C}$

Parameter	Frequency Range	Units	Min	Typical	Max	Notes
Frequency Range		GHz	DC		12.0	

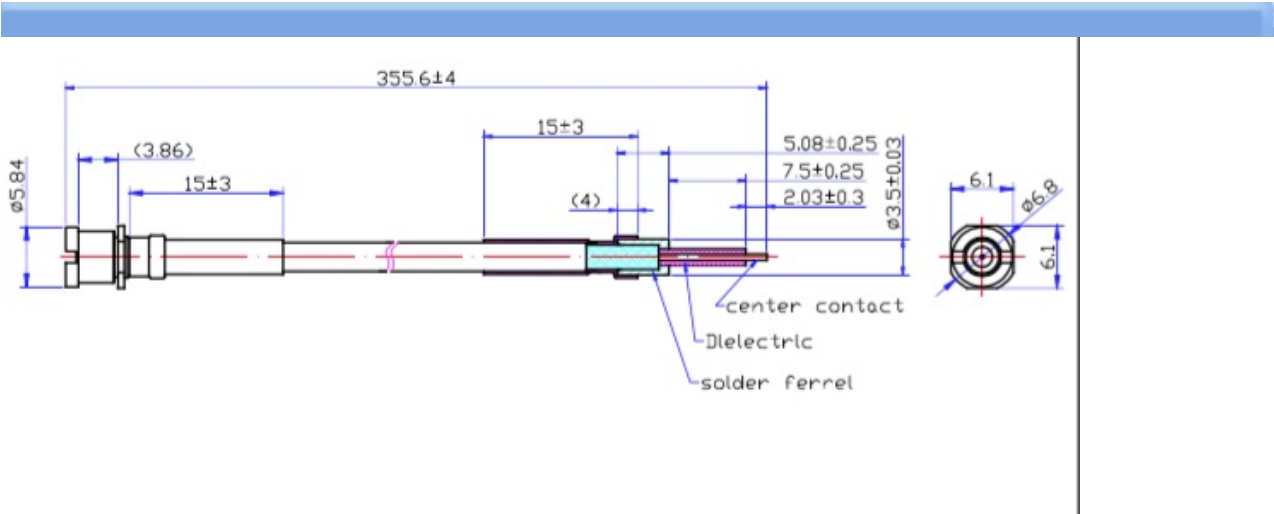
Mechanical And Environmental Specifications:

Parameter	Description	Notes
Connector 1	SMP Male	
Connector 2	Pigtail - No Connector	
Coax Cable	Trimmed end	
Cable Type	SS085	
Length	14.0	
RoHS Compliance	Yes	

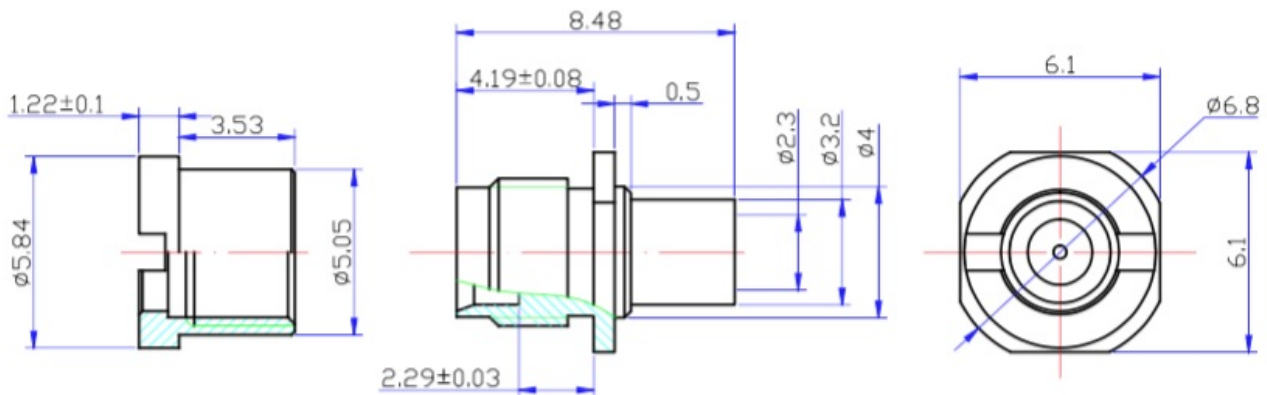
Drawing

P1-SPM/PIGTAIL-SS085-14

SMP Male to RF Test Probe/Pigtail (no connector) cable assembly, SS085 flex cable (0.104 inch OD), 14 inch. Connector is SMP male bulkhead . Trimmed Pigtail end to expose dielectric and center contact. Frequency DC to 12 GHz. Max VSWR 1.40.



Graph



Product Notes