

Product Features

P1AD-18F24F is a 50 Ohm high frequency adapter, 1.8mm female to 2.4mm female, operating to 50 GHz. Maximum VSWR is 1.25. Material is passivated stainless steel.

P1dB offers a large selection of standard and precision 50 Ohm RF adapters for lab, aerospace, industrial and commercial applications. In-series and between series options include 1.85mm, 2.4mm, 2.92mm, 3.5mm, SMA, Type N, TNC and BNC.



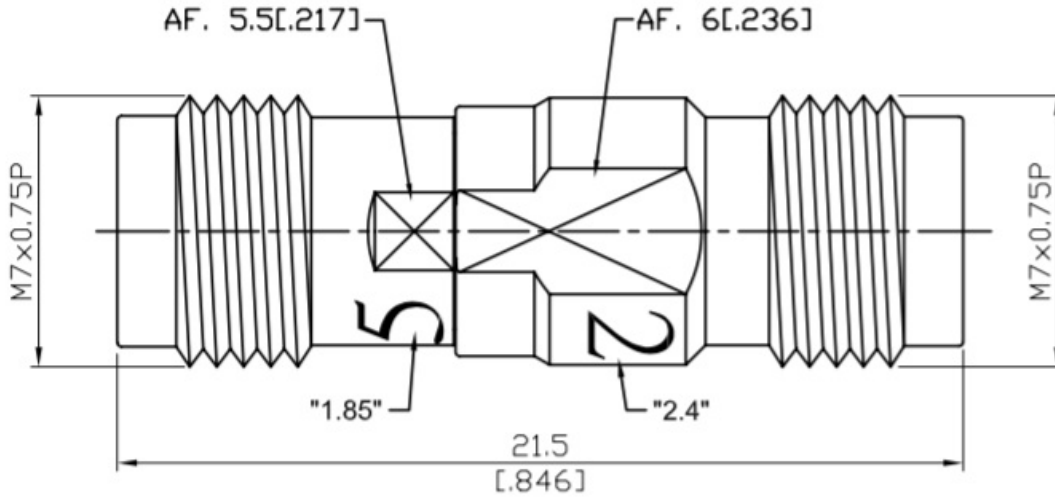
Electrical Specification: T_{Ambient} = 25° C

Parameter	Frequency Range	Units	Min	Typical	Max	Notes
Impedance				50.0		

Mechanical And Environmental Specifications:

Parameter	Description	Notes
Connector 1	1.85mm Female	
Connector 2	2.4mm Female	
Orientation	Straight	
Mount Type	None	
RoHS Compliance	Yes	

Drawing



Graph

Parts	Material	Plating (Micro-inch)
Contact Pin	Beryllium Copper	Gold 4 Over Nickel-Phosphorus Alloy 80 Over Copper 20
Insulator	PPO	
Body	Stainless Steel	Passivated

Product Notes