

P1AD-24FF

2.4mm Female to 2.4mm Female Adapter. Frequency DC to 50 GHz with a max VSWR of 1.30.

Product Features

P1dB's P1AD-24FF is a straight 2.4mm Female to 2.4mm Female adapter that operates to 50 GHz with a maximum VSWR of 1.3:1. It has a passivated stainless steel body and meets operating temperatures from -85 to 125 degrees Celcius.



Electrical Specification: $T_{\text{Ambient}} = 25^{\circ}\text{C}$

Parameter	Frequency Range	Units	Min	Typical	Max	Notes
Frequency Range		GHz	DC		50.0	
Impedance				50.0		
VSWR	DC to 50.0	1:			1.3	

Mechanical And Environmental Specifications:

Parameter	Description	Notes
Connector 1	2.4mm Female	
Connector 1 Body	Stainless Steel	
Connector 1 Contact	Gold Plated Beryllium Copper	
Connector 2	2.4mm Female	
Connector 2 Body	Stainless Steel	
Connector 2 Contact	Gold Plated Beryllium Copper	
Orientation	Straight	
Mount Type	None	
Operating Temperature	-85.0 to 125.0 °C	
RoHS Compliance	Yes	

Drawing

P1dB, Inc.

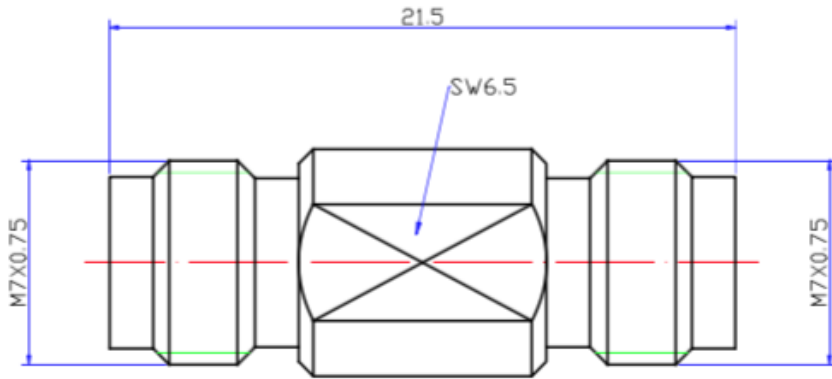
188 Martinvale Lane, San Jose, CA 95119

+1(408)613-4857

sales@p1dB.com

P1AD-24FF

2.4mm Female to 2.4mm Female Adapter. Frequency DC to 50 GHz with a max VSWR of 1.30.



Product Notes

Overall length is 0.85 inch (21.5mm).