

Product Features

P1AD-24M29FRA-40G is a 50 Ohm RF Adapter, 2.4mm Male to 2.92mm Female Right Angle up to 40 GHz with a 1.25:1 VSWR.



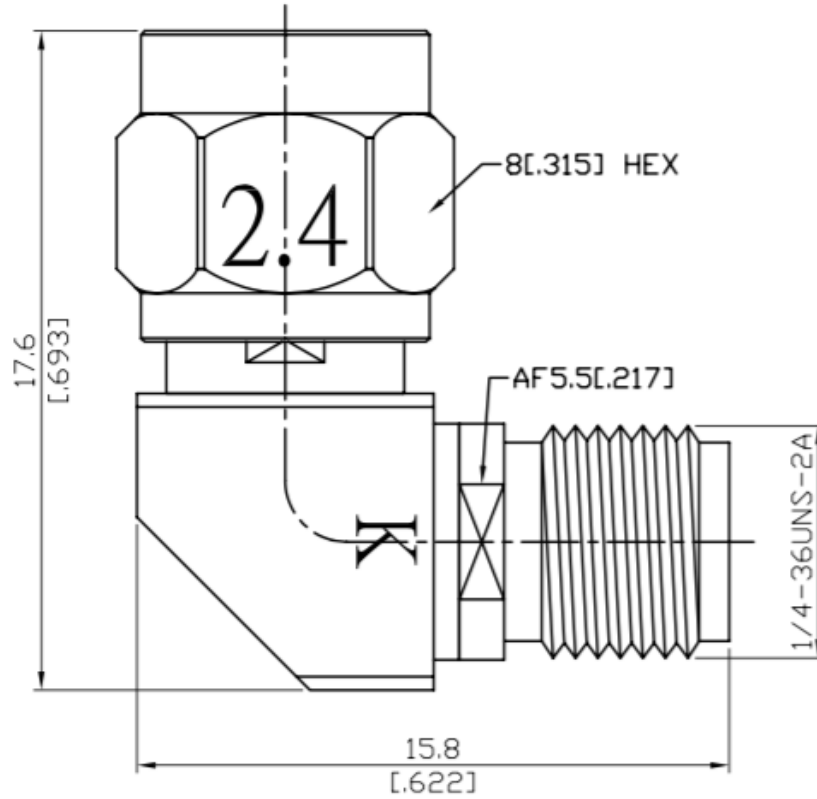
Electrical Specification: T_{Ambient} = 25° C

Parameter	Frequency Range	Units	Min	Typical	Max	Notes
Impedance				50.0		

Mechanical And Environmental Specifications:

Parameter	Description	Notes
Connector 1	2.4mm Male	
Connector 2	2.92mm Female	
Orientation	Right Angle	
Mount Type	None	
RoHS Compliance	Yes	

Drawing



Graph

Parts	Material	Plating (Micro-inch)
Insulator	PPO	
Gasket	Silicone	
Centre Contact	Beryllium Copper	Gold 4 Over Nickel-Phosphorus Alloy 80 Over Copper 20
Retainer Ring	Beryllium Copper	Tin-Zinc-Copper-Alloy 100 Over Copper 50
Body	Stainless Steel	Passivated
Coupling Nut	Stainless Steel	Passivated

Product Notes