

Product Features

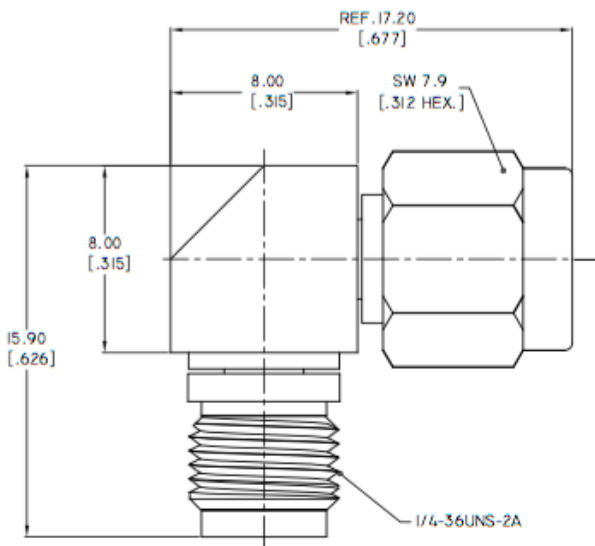
P1AD-29MFRA-1.25 is a precision 50 Ohm RF adapter, 2.92mm male to 2.92mm female, mitered right angle design. The adapter has a max VSWR 1.25 from DC to 40 GHz. Insertion Loss is 0.4 dB max. The body is passivated stainless steel body.



Mechanical And Environmental Specifications:

Parameter	Description	Notes
Connector 1	2.92mm Male	
Connector 2	2.92mm Female	
Orientation	Angle: Mitered Right Angle	
RoHS Compliance	Yes	

Drawing



Product Notes

RF Adapter, 2.92mm Male to 2.92mm Female, mitered right angle. Operating DC to 40 GHz with a 1.25 maximum VSWR.

Temp range -55 to +125 deg C.