

P1AD-35FSAF-27G

RF Adapter, 3.5mm Female to SMA Female, VSWR 1.2 max to 27 GHz

Product Features

P1dB's P1AD-35FSAF-27G is a 50 Ohm RF adapter, 3.5mm female to SMA female. This adapter operates to 27 GHz with a maximum VSWR of 1.20. The material is passivated stainless steel.



Electrical Specification: $T_{\text{Ambient}} = 25^{\circ}\text{C}$

Parameter	Frequency Range	Units	Min	Typical	Max	Notes
Impedance				50.0		

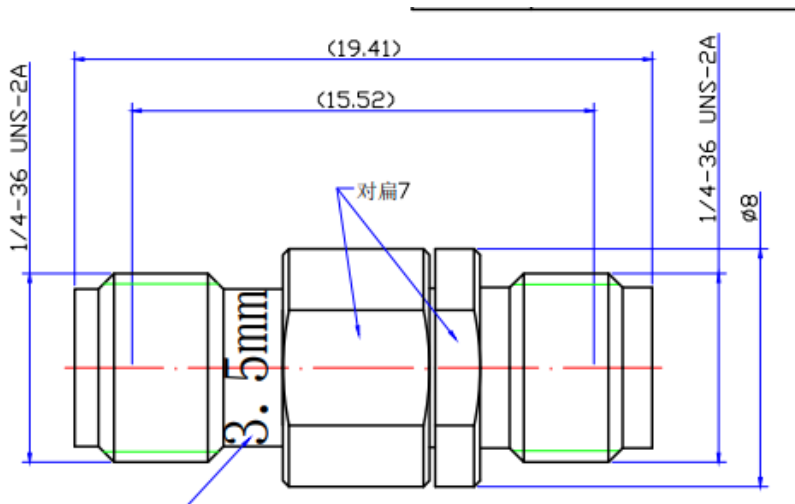
Mechanical And Environmental Specifications:

Parameter	Description	Notes
Connector 1	3.5mm Female	
Connector 2	SMA Female	
Orientation	Straight	
Mount Type	None	
RoHS Compliance	Yes	

Drawing

P1AD-35FSAF-27G

RF Adapter, 3.5mm Female to SMA Female, VSWR 1.2 max to 27 GHz



Graph

Parts	Material	Plating (Micro-inch)
Contact Pin	Beryllium Copper	Gold 20 Over Nickel 50 Over Copper 50
Insulator	P.P.O	
Body	Stainless Steel	Passivated

Product Notes