

P1AD-35MSAM-27G

RF Adapter, 3.5mm Male to SMA Male. Frequency DC to 27 GHz with a max VSWR 1.20.

Product Features

P1AD-35MSAM is a 50 Ohm RF adapter, 3.5mm male to SMA male, operating to 27 GHz.

Maximum VSWR is 1.20 to 27 GHz.

Material is passivated stainless steel.



Electrical Specification: $T_{\text{Ambient}} = 25^{\circ}\text{C}$

Parameter	Frequency Range	Units	Min	Typical	Max	Notes
Impedance				50.0		

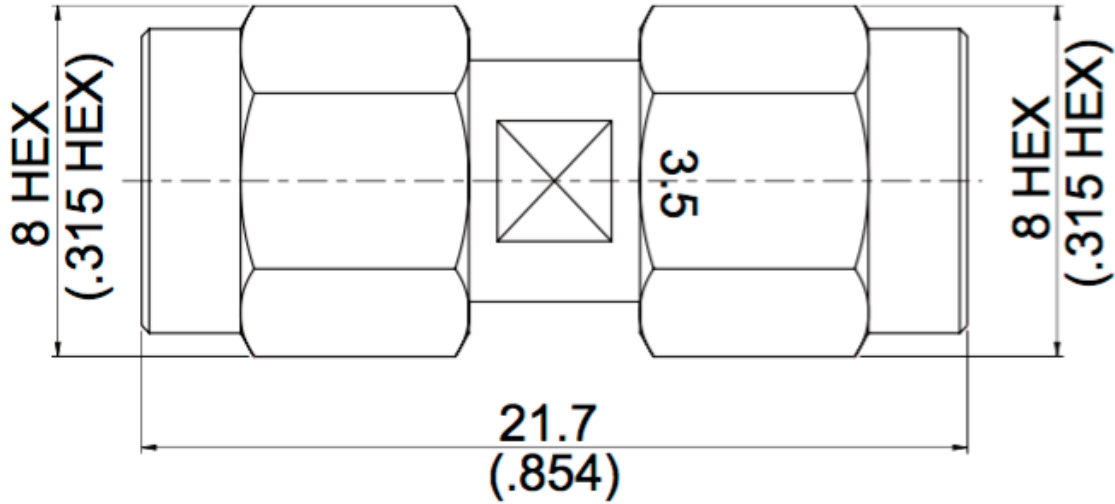
Mechanical And Environmental Specifications:

Parameter	Description	Notes
Connector 1	3.5mm Male	
Connector 2	SMA Male	
Orientation	Straight	
Mount Type	None	
RoHS Compliance	Yes	

Drawing

P1AD-35MSAM-27G

RF Adapter, 3.5mm Male to SMA Male. Frequency DC to 27 GHz with a max VSWR 1.20.



Graph

Parts	Material	Plating (Micro-inch)
Retainer Ring	Beryllium Copper	Tin-Zinc-Copper-Alloy 100 Over Copper 50
Gasket	Silicon	
Contact Pin	Beryllium Copper	Gold 20 Over Nickel 50 Over Copper 50
Insulator	P.P.O	
Body	Stainless Steel	Passivated
Coupling Nut	Stainless Steel	Passivated

Product Notes