

Product Features

P1AD-716J716J is a 50 Ohm RF adapter, 7/16 female (jack) to 7/16 female (jack).

Frequency: DC to 7.5 GHz with a maximum VSWR 1.15.

Low PIM design : intermodulation >165dBC.

The adapter body is brass with tin-zinc-copper alloy plating.



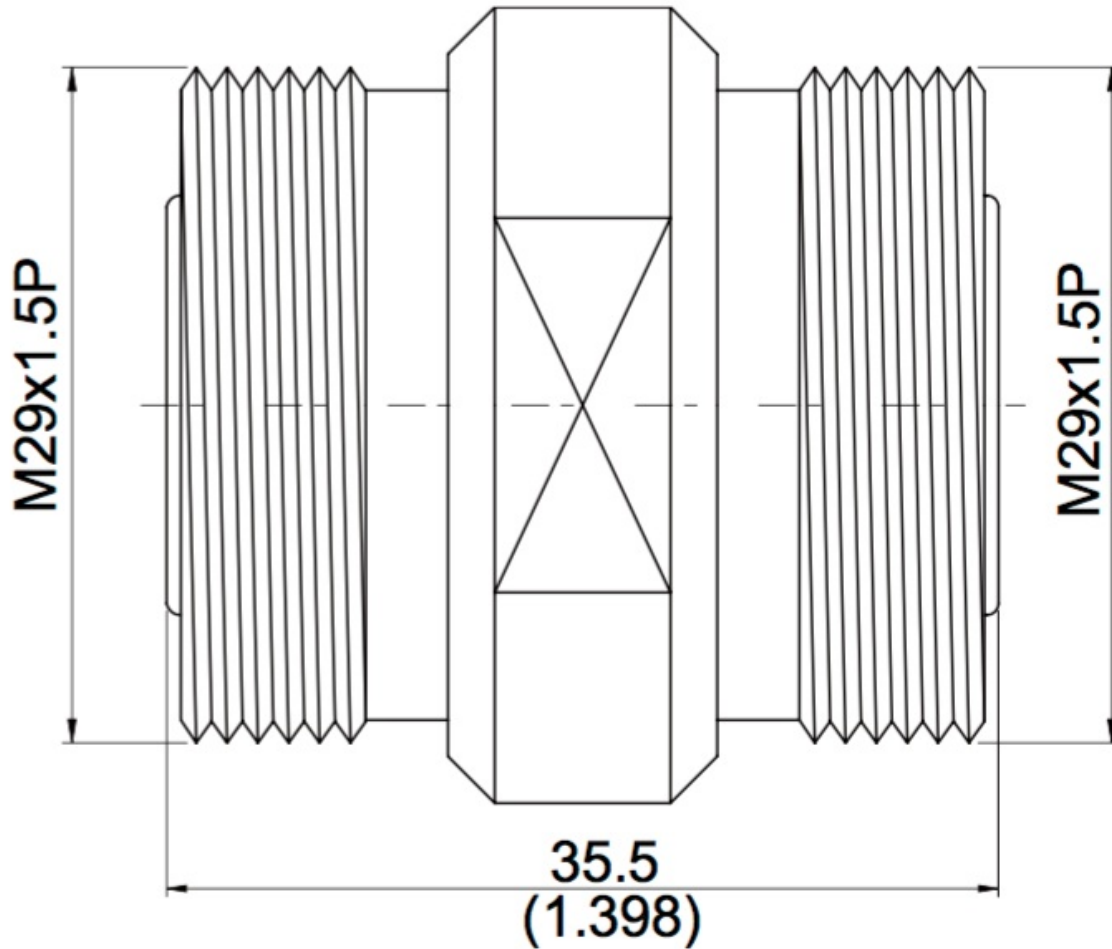
Electrical Specification: T_{Ambient} = 25° C

Parameter	Frequency Range	Units	Min	Typical	Max	Notes
Impedance				50.0		

Mechanical And Environmental Specifications:

Parameter	Description	Notes
Connector 1	7/16 Female	
Connector 2	7/16 Female	
RoHS Compliance	Yes	

Drawing



Product Notes

-55 to +125 deg C operating temp range.

Power handling : >1kW CW, DC to 6GHz.