

Product Features

P1AD-716J716P is a 50 Ohm RF adapter, 7/16 female (jack) to 7/16 male (plug).

Frequency: DC to 7.5 GHz with a maximum VSWR 1.15.

Low PIM design : intermodulation >165dBC.

The adapter body is brass with tin-zinc-copper alloy plating.



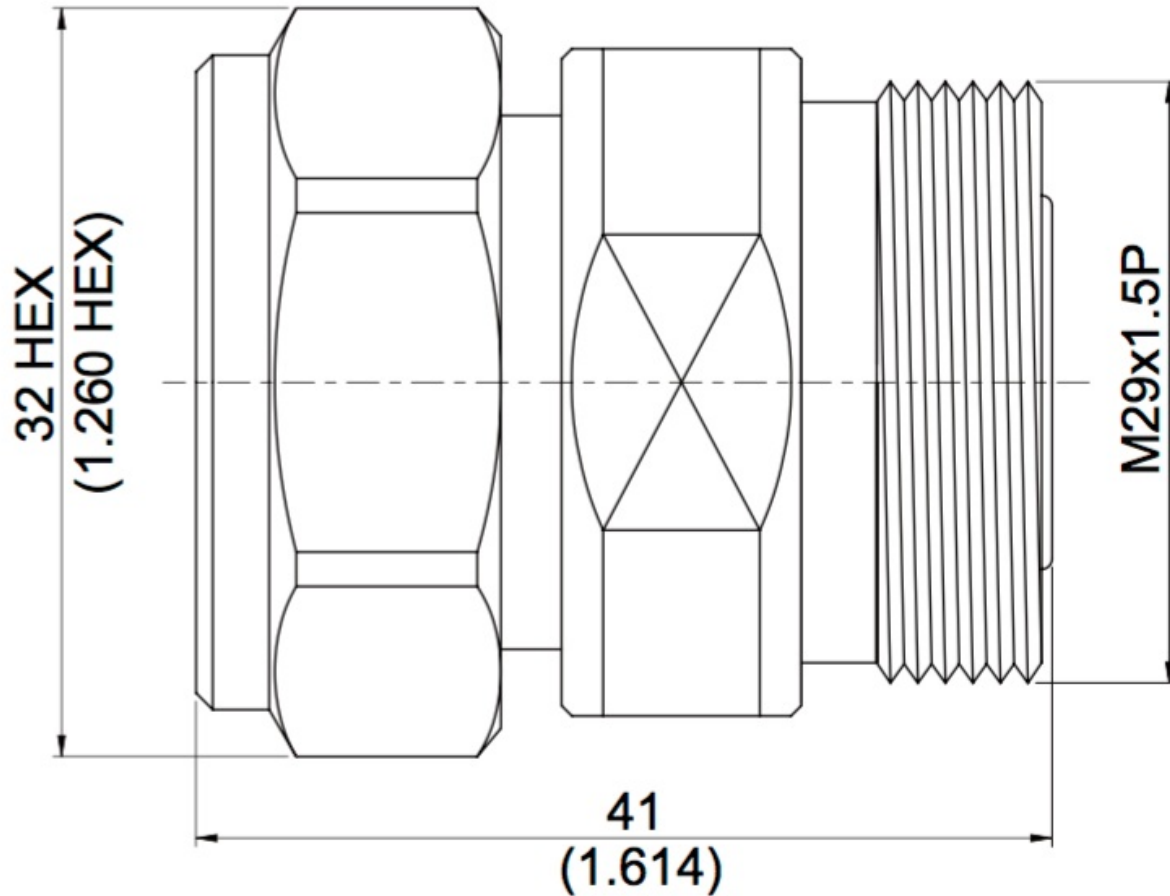
Electrical Specification: T_{Ambient} = 25° C

| Parameter | Frequency Range | Units | Min | Typical | Max | Notes |
|-----------|-----------------|-------|-----|---------|-----|-------|
| Impedance | | | | 50.0 | | |

Mechanical And Environmental Specifications:

| Parameter | Description | Notes |
|-----------------|-------------|-------|
| Connector 1 | 7/16 Female | |
| Connector 2 | 7/16 Male | |
| RoHS Compliance | Yes | |

Drawing



Product Notes

-55 to +125 deg C operating temp range.

Power handling : >1kW CW, DC to 6GHz.