

**Product Features**

P1AD-716P716P is a 50 Ohm RF adapter, 7/16 male (plug) to 7/16 male (plug).

Frequency: DC to 7.5 GHz with a maximum VSWR 1.15.

Low PIM design : intermodulation >165dBC.

The adapter body is brass with tin-zinc-copper alloy plating.



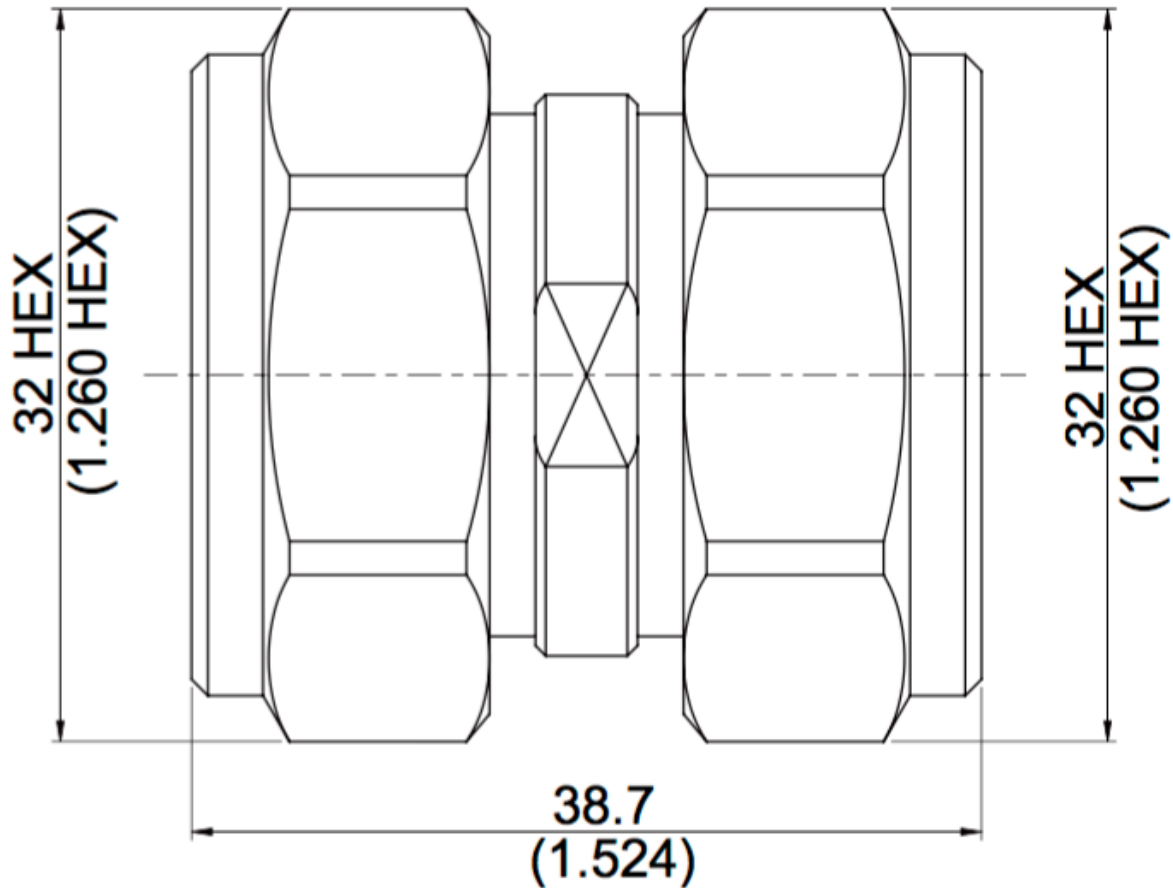
**Electrical Specification: T<sub>Ambient</sub> = 25° C**

Parameter	Frequency Range	Units	Min	Typical	Max	Notes
Impedance				50.0		

**Mechanical And Environmental Specifications:**

Parameter	Description	Notes
Connector 1	7/16 Male	
Connector 2	7/16 Male	
RoHS Compliance	Yes	

**Drawing**



**Product Notes**

-55 to +125 deg C operating temp range.

Power handling : >1kW CW, DC to 6GHz.