

P1AD-NMFRA

Precision RF Adapter, N Male to N Female Right Angle. Frequency DC-18 GHz, 1.30 max VSWR.

Product Features

P1AD-NMFRA is a 50 OHm precision RF adapter, mitred right angle N male to N female.

The frequency range is DC to 18 GHz with a max VSWR 1.30.

The adapter body is passivated stainless steel.



Electrical Specification: $T_{\text{Ambient}} = 25^{\circ}\text{C}$

Parameter	Frequency Range	Units	Min	Typical	Max	Notes
Impedance				50.0		

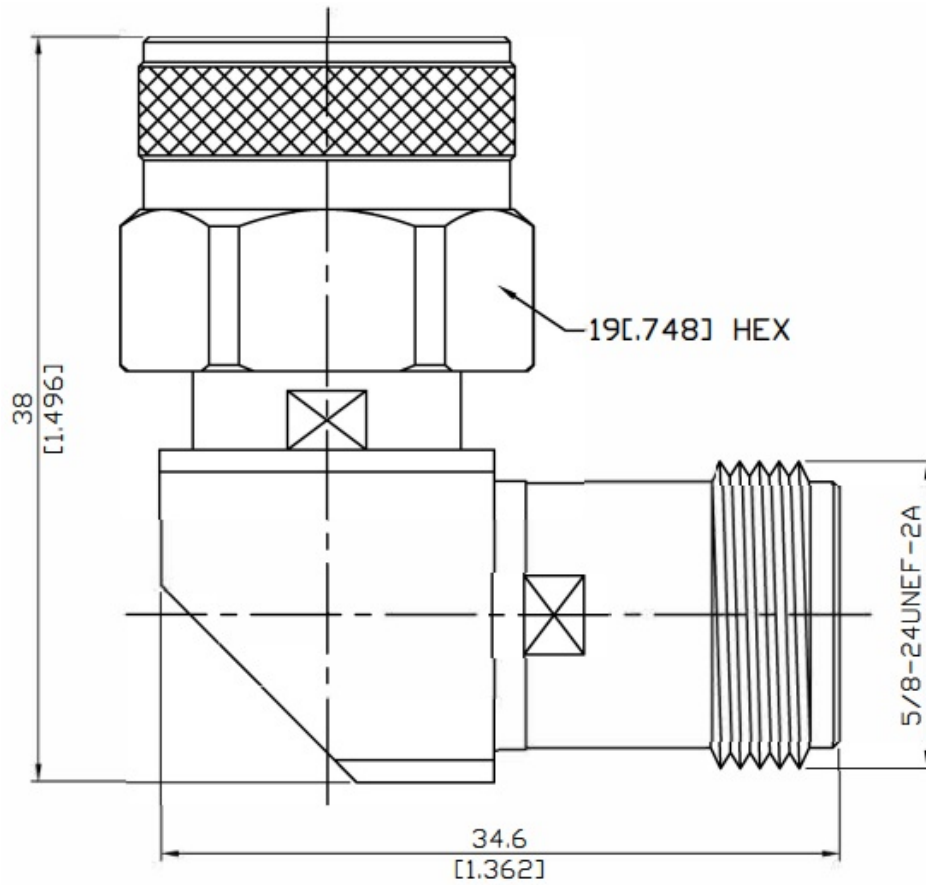
Mechanical And Environmental Specifications:

Parameter	Description	Notes
Connector 1	N Male	
Connector 2	N Female	
Orientation	Right Angle	
RoHS Compliance	Yes	

Drawing

P1AD-NMFRA

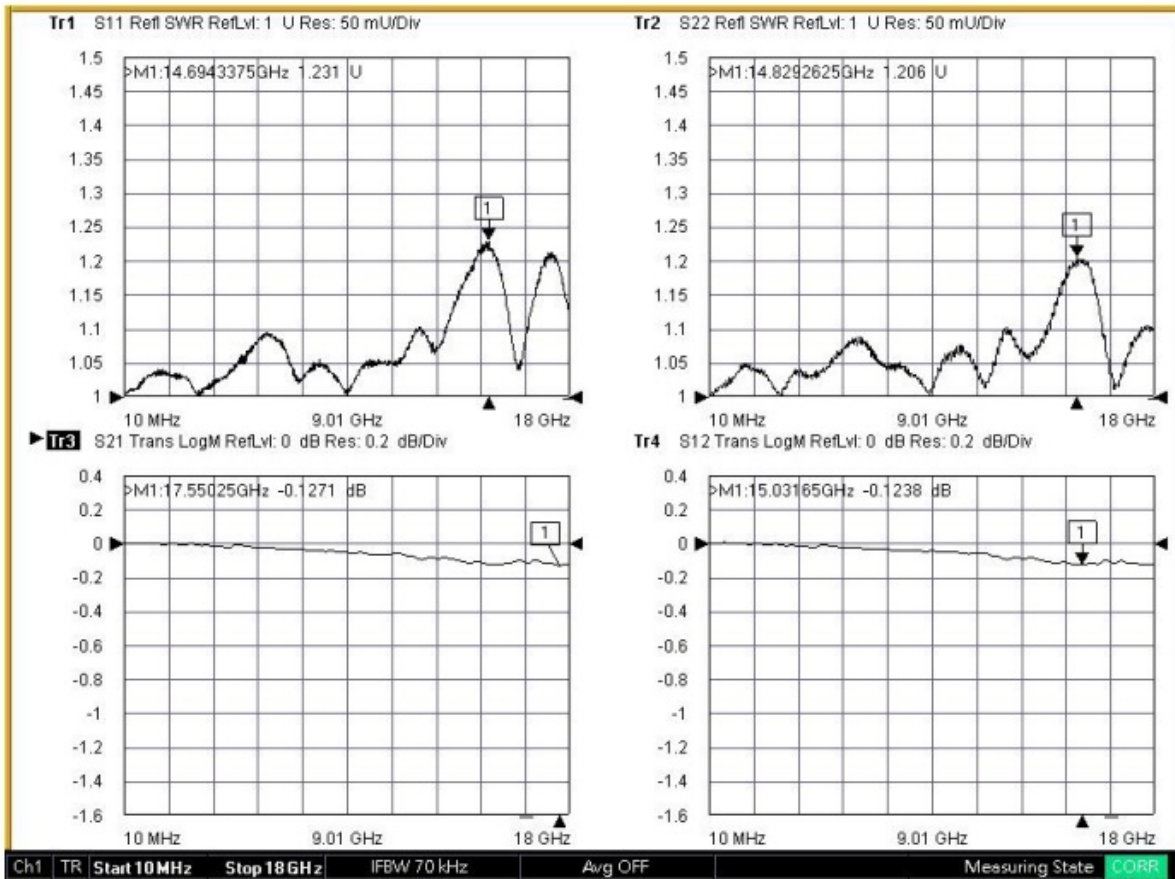
Precision RF Adapter, N Male to N Female Right Angle. Frequency DC-18 GHz, 1.30 max VSWR.



Graph

P1AD-NMFRA

Precision RF Adapter, N Male to N Female Right Angle. Frequency DC-18 GHz, 1.30 max VSWR.



Product Notes