

Product Features

P1dB's P1AD-SAFBMFBD is a 50 Ohm RF adapter, SMA female(jack) to BMA female(jack), bulkhead mount. This adapter operates to 18 GHz with a max VSWR of 1.20.

The adapter body is passivated stainless steel.



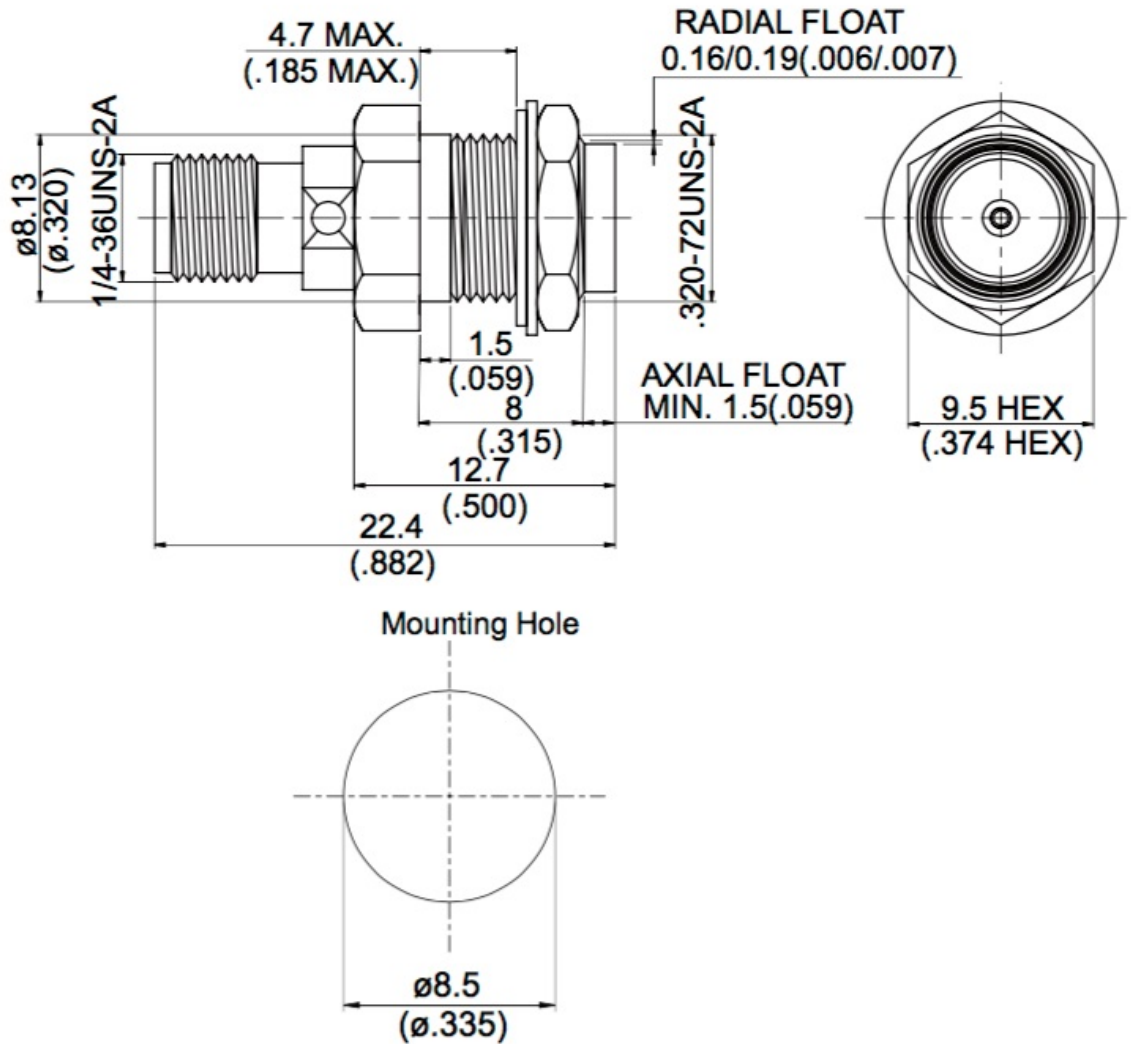
Electrical Specification: T_{Ambient} = 25° C

Parameter	Frequency Range	Units	Min	Typical	Max	Notes
Impedance				50.0		

Mechanical And Environmental Specifications:

Parameter	Description	Notes
Connector 1	SMA Female	
Connector 2	BMA Female	
Orientation	Straight	
Mount Type	Bulkhead	
RoHS Compliance	Yes	

Drawing



Graph

Parts	Material	Plating (Micro-inch)
Nut	Stainless Steel	Passivated
Flatwasher	Stainless Steel	Passivated
Lock Washer	Stainless Steel	Passivated
Spring Washer	Beryllium Copper	Gold 5 Over Nickel 50 Over Copper 50
Spring Ring	Beryllium Copper	Gold 5 Over Nickel 50 Over Copper 50
Ferrule	Brass	Gold 10 Over Nickel 50 Over Copper 50
Contact Body	Stainless Steel	Passivated
Spring	Stainless Steel	Passivated
Body	Stainless Steel	Passivated
Contact Pin	Beryllium Copper	Gold 20 Over Nickel 50 Over Copper 50
Insulator	Teflon	

Product Notes