

**Product Features**

P1dB's P1AD-SAFBMMBD is a 50 Ohm RF adapter, SMA female(jack) to BMA male(plug), bulkhead mount. This adapter operates to 18 GHz with a max VSWR of 1.20.

The adapter body is passivated stainless steel.



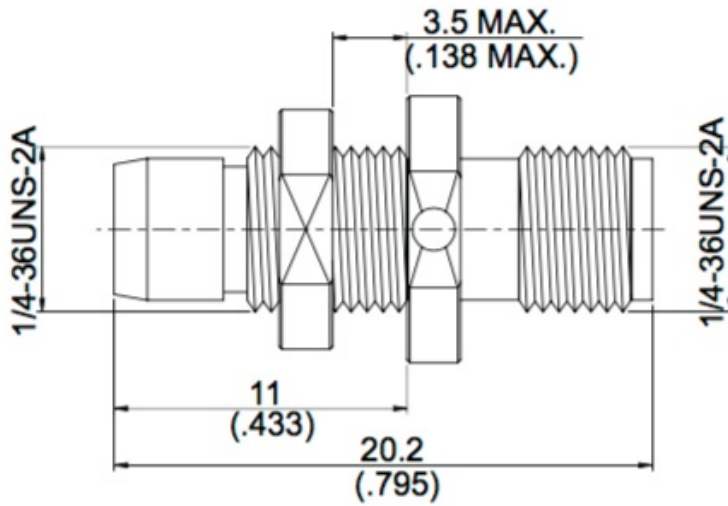
**Electrical Specification: T<sub>Ambient</sub> = 25° C**

Parameter	Frequency Range	Units	Min	Typical	Max	Notes
Impedance				50.0		

**Mechanical And Environmental Specifications:**

Parameter	Description	Notes
Connector 1	SMA Female	
Connector 2	BMA Male	
Orientation	Straight	
Mount Type	Bulkhead	
RoHS Compliance	Yes	

**Drawing**



MOUNTING HOLE:



**Graph**

Parts	Material	Plating (Micro-inch)
Nut	Stainless Steel	Passivated
Contact Pin	Beryllium Copper	Gold 20 Over Nickel 50 Over Copper 50
Insulator	Teflon	
Body	Stainless Steel	Passivated

**Product Notes**