

Product Features

P1AD-SAFF-27 is a 50 Ohm RF Adapter, SMA female (jack) to SMA female (jack). This SMA in-series adapter operates to 27 GHz with a maximum VSWR of 1.15. It has a passivated stainless steel body and Insertion Loss up to 27 GHz is <0.15 dB. Compare to SM4981.

P1dB offers a large selection of standard and precision RF adapters in both 50 Ohm and 75 Ohm designs for lab, aerospace industrial and commercial applications.



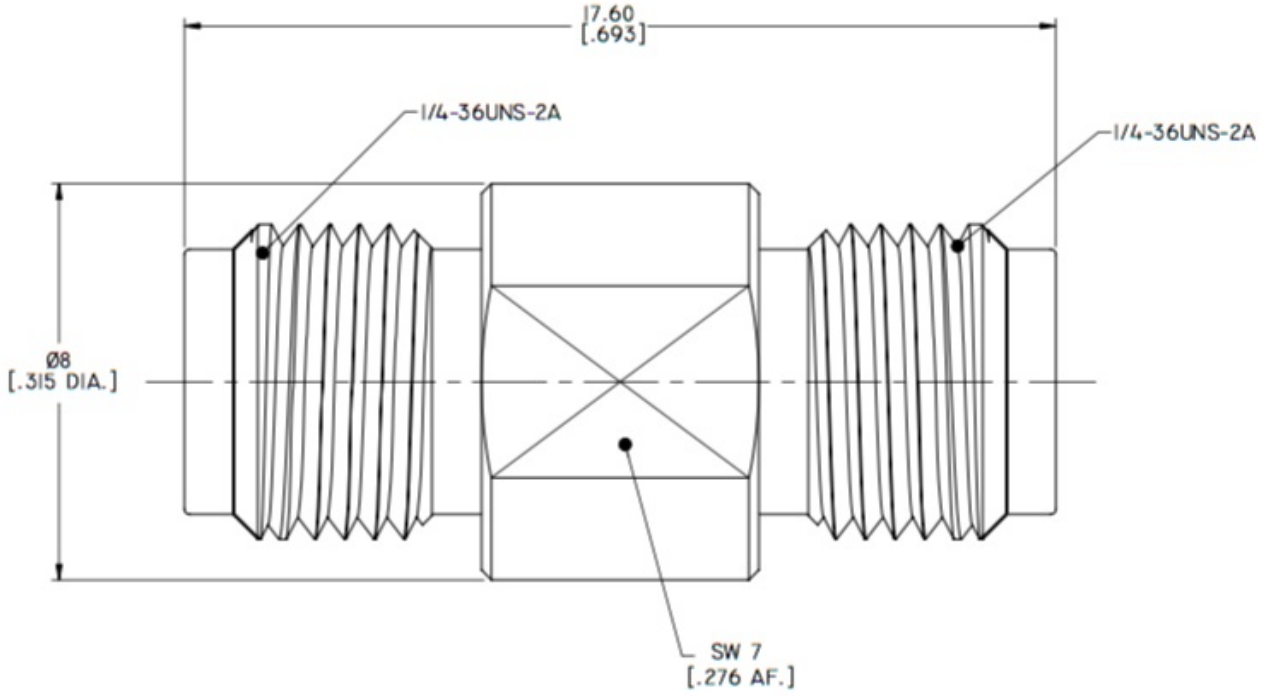
Electrical Specification: T_{Ambient} = 25° C

Parameter	Frequency Range	Units	Min	Typical	Max	Notes
Impedance				50.0		

Mechanical And Environmental Specifications:

Parameter	Description	Notes
Connector 1	SMA Female	
Connector 2	SMA Female	
Orientation	Straight	
RoHS Compliance	Yes	

Drawing



Product Notes

temp range: -55 to +125 deg C