

Product Features

P1dB's P1AD-SAFTNM is a straight SMA Female to TNC male adapter that operates to 6 GHz with a maximum VSWR of 1.2:1. P1dB offers a large selection of standard and precision RF adapters in both 50 Ohm and 75 Ohm designs for lab, aerospace industrial and commercial applications.



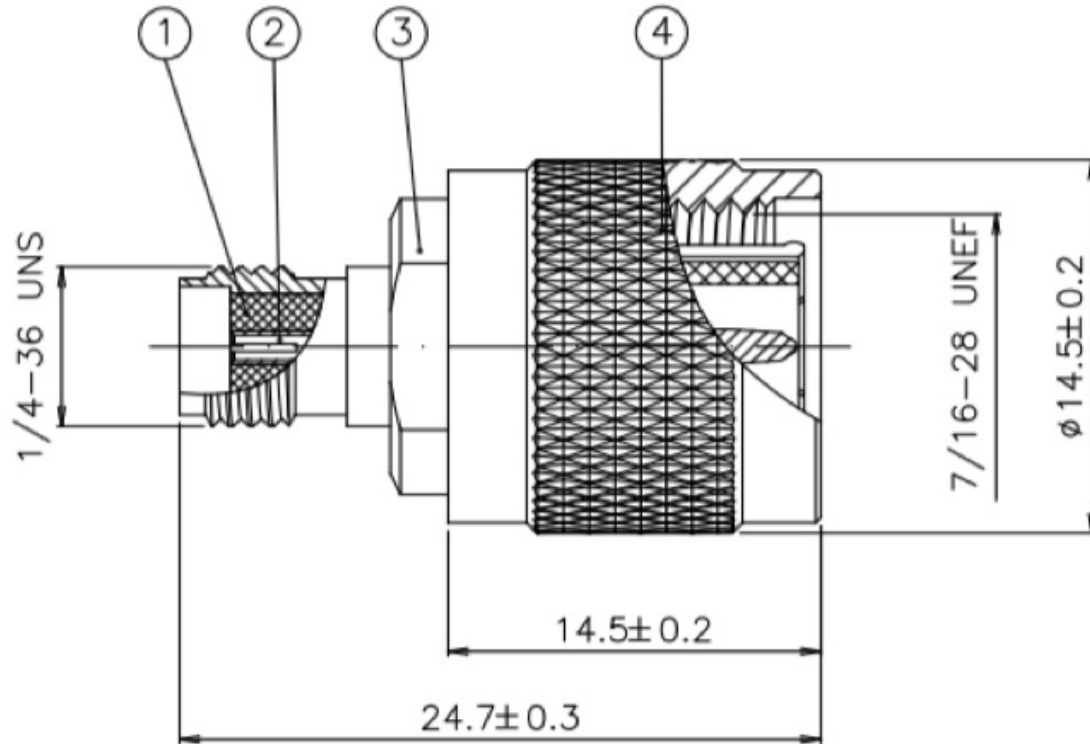
Electrical Specification: T_{Ambient} = 25° C

| Parameter | Frequency Range | Units | Min | Typical | Max | Notes |
|-----------|-----------------|-------|-----|---------|-----|-------|
| Impedance | | | | 50.0 | | |

Mechanical And Environmental Specifications:

| Parameter | Description | Notes |
|-----------------|-------------|-------|
| Connector 1 | SMA Female | |
| Connector 2 | TNC Male | |
| Orientation | Straight | |
| Mount Type | None | |
| RoHS Compliance | Yes | |

Drawing



Product Notes