

Product Features

P1dB's P1AD-SAMFRA-27G is a 50 Ohm RF adapter. It's an SMA female(jack) to SMA male(plug) mitered right angle operating to 27 GHz with a maximum VSWR of 1.20.

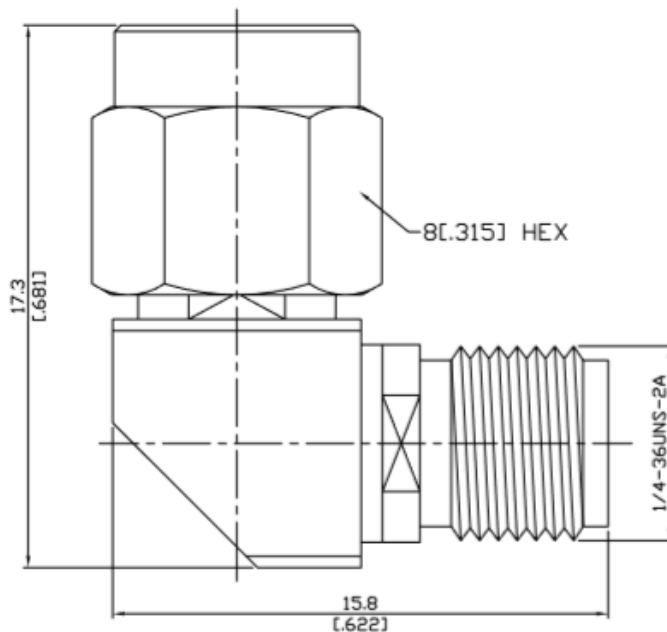
The adapter body is passivated stainless steel.



Mechanical And Environmental Specifications:

Parameter	Description	Notes
Connector 1	SMA Male	
Connector 2	SMA Female	
Orientation	Angle: Mitered Right Angle	
RoHS Compliance	Yes	

Drawing



Product Notes