

Product Features

P1AD-SAFMXP is a 50 Ohm RF adapter, SMA male to MCX plug (male). Operating to 6 GHz with a max VSWR of 1.30. Adapter body is gold plated brass.



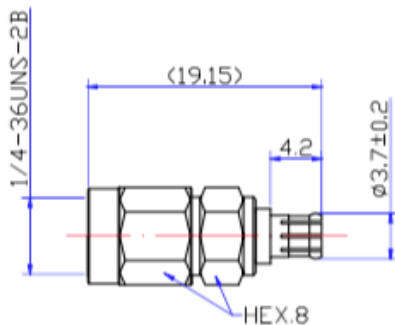
Electrical Specification: T_{Ambient} = 25° C

Parameter	Frequency Range	Units	Min	Typical	Max	Notes
Frequency Range		GHz	DC		6.0	

Mechanical And Environmental Specifications:

Parameter	Description	Notes
Connector 1	SMA Male	
Connector 1 Body	Gold Plated Brass	
Connector 1 Contact	Gold Plated Beryllium Copper	
Connector 2	MMCX Plug	
Operating Temperature	-40.0 to 85.0 °C	
RoHS Compliance	Yes	

Drawing



Adapter, SMA male to MMCX plug (male) Gold plated brass body, VSWR 1.3 max to 6 GHz.

Product Notes