

P1AD-SAMMRA-27G

RF Adapter, SMA Male to SMA Male, mitered right angle. Frequency DC to 27 GHz, VSWR 1.2 max.

Product Features

P1AD-SAMMRA-27G is a precision RF Adapter, SMA Male to SMA Male, mitered right angle.

Frequency DC to 27 GHz, VSWR 1.2 max.

Material is passivated stainless steel.



Electrical Specification: $T_{\text{Ambient}} = 25^{\circ}\text{C}$

Parameter	Frequency Range	Units	Min	Typical	Max	Notes
Impedance				50.0		

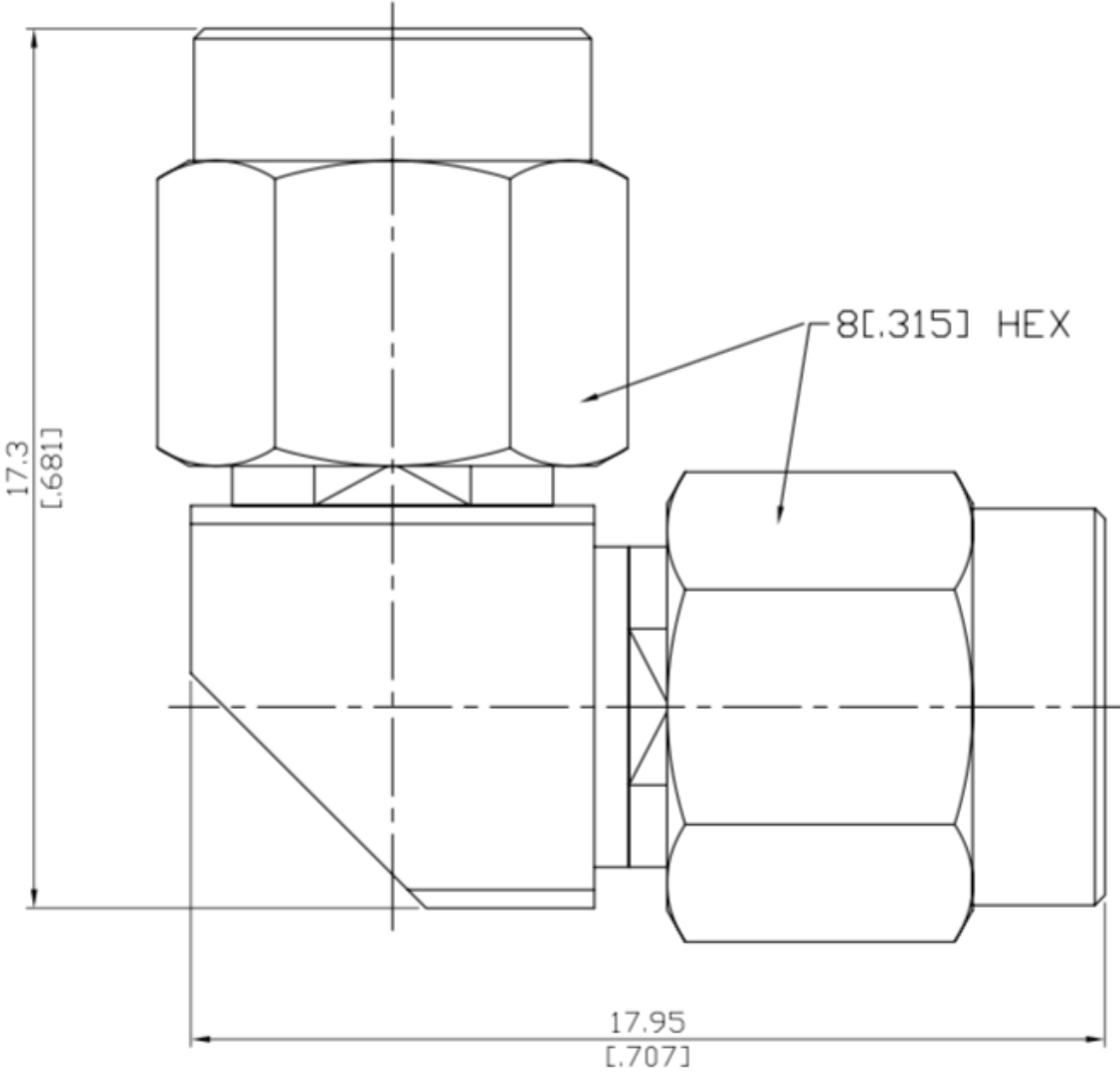
Mechanical And Environmental Specifications:

Parameter	Description	Notes
Connector 1	SMA Male	
Connector 2	SMA Male	
Orientation	Angle: Mitered Right Angle	
RoHS Compliance	Yes	

Drawing

P1AD-SAMMRA-27G

RF Adapter, SMA Male to SMA Male, mitered right angle. Frequency DC to 27 GHz, VSWR 1.2 max.



Product Notes