

P1AT-24MF-50G2W-10

RF Attenuator, 2.4mm Male to 2.4mm Female, 10 dB attenuation, 2 Watt. Frequency DC to 50 GHz.

Product Features

P1dB's 50 Ohm coaxial attenuator P1AT-24MF-50G2W-10 is a 2.4mm male to 2.4mm female with 10 dB attenuation.

Frequency is DC to 50 GHz with a max VSWR 1.30. Power handling is 2W.

The attenuator body is passivated stainless steel.



Electrical Specification: $T_{\text{Ambient}} = 25^{\circ}\text{C}$

Parameter	Frequency Range	Units	Min	Typical	Max	Notes
Frequency Range		GHz	DC		50.0	

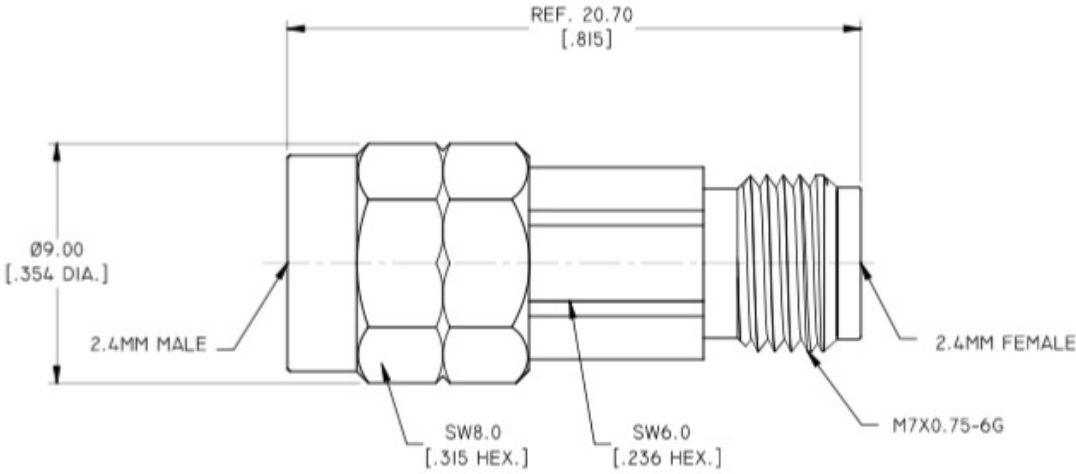
Mechanical And Environmental Specifications:

Parameter	Description	Notes
Connector 1	2.4mm Male	
Connector 2	2.4mm Female	
RoHS Compliance	Yes	

Drawing

P1AT-24MF-50G2W-10

RF Attenuator, 2.4mm Male to 2.4mm Female, 10 dB attenuation, 2 Watt. Frequency DC to 50 GHz.



Product Notes

Temp range -55 to +125 deg C