

# P1AT-SAMF-18G2W-40

RF Attenuator, SMA Male to SMA Female, 18 GHz, 40 dB, 2 Watts

## Product Features



Electrical Specification:  $T_{\text{Ambient}} = 25^{\circ}\text{C}$

Parameter	Frequency Range	Units	Min	Typical	Max	Notes
Frequency Range		GHz	DC		18.0	

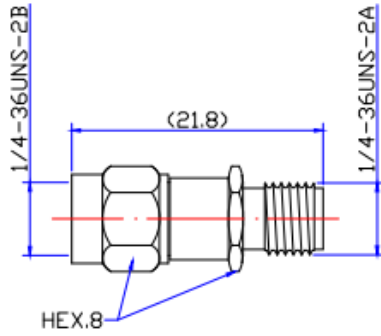
Mechanical And Environmental Specifications:

Parameter	Description	Notes
Connector 1	SMA Male	
Connector 2	SMA Female	
Length	0.99	
RoHS Compliance	Yes	

Drawing

# P1AT-SAMF-18G2W-40

RF Attenuator, SMA Male to SMA Female, 18 GHz, 40 dB, 2 Watts



## Product Notes