

# P1CA-SAF2PT-047SR-150MM

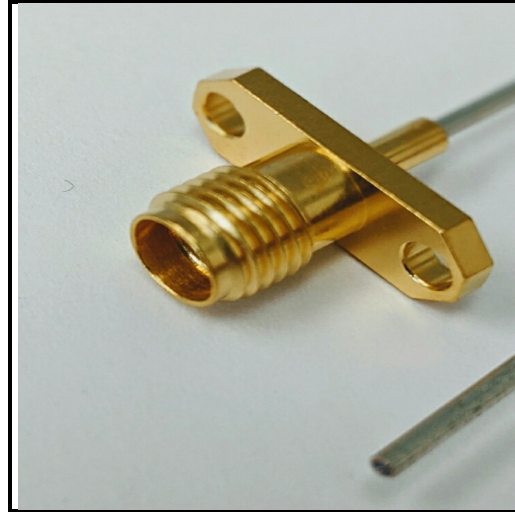
SMA Female 2 Hole Flange to Pigtail (no connector) cable assembly using 047SR Semi-Rigid Coax, 150mm. RF tested DC to 6 GHz.

## Product Features

P1CA-SAF2PT-047SR-150MM is an RF Test Probe (Pigtail) assembly, SMA female 2 hole flange mount.

The cable is .047 semi rigid and length is 150mm (5.9 inch) measured from flange to cable end.

Frequency is DC to 6 GHz.



Electrical Specification:  $T_{\text{Ambient}} = 25^{\circ}\text{C}$

Parameter	Frequency Range	Units	Min	Typical	Max	Notes
Frequency Range		GHz	DC		6.0	

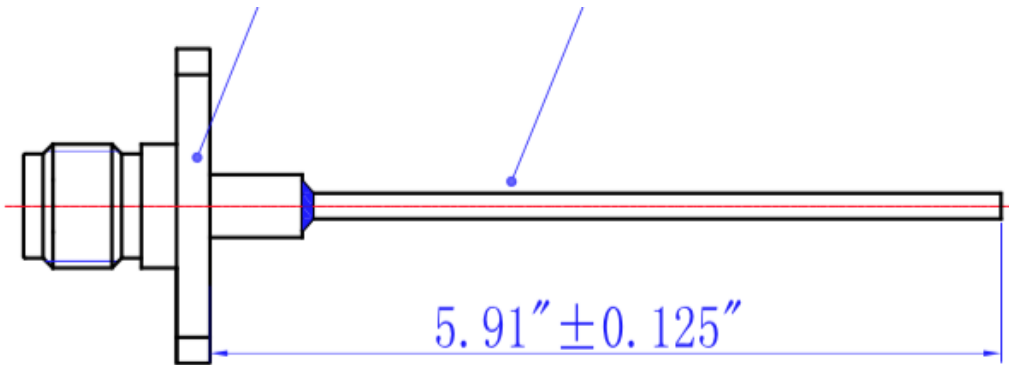
## Mechanical And Environmental Specifications:

Parameter	Description	Notes
Connector 1	SMA Female 2-Hole Flange	
Connector 2	Pigtail - No Connector	
Coax Cable	Semi-Rigid	
Cable Type	047SR	
Coax Diameter	0.047	
RoHS Compliance	Yes	

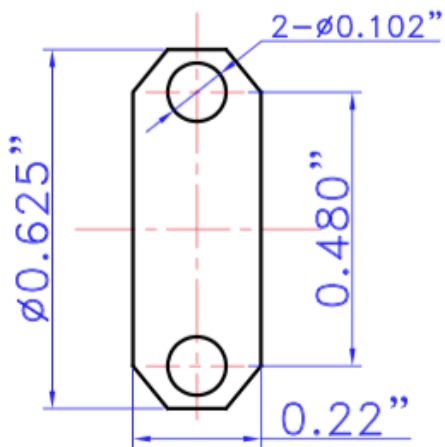
## Drawing

# P1CA-SAF2PT-047SR-150MM

SMA Female 2 Hole Flange to Pigtail (no connector) cable assembly using 047SR Semi-Rigid Coax, 150mm. RF tested DC to 6 GHz.



## Graph



## Product Notes