

**Product Features**

P1CO-18FEL-05/09-LP is a 1.85mm female (jack) 50 Ohm connector that operates to 67 GHz. It is a low profile edge launch connector that offers best electrical match when mating with Microstrip printed circuit boards. This DC to 67 GHz connector is field replaceable (non-solder attachment to PCB). The connector material is passivated stainless steel. Adjustable to accommodate PCB thickness up to 0.100 inch (2.54mm).

Dimension (A) Board: The center contact (pin) diameter is .005 inch (0.13mm).

Dimension (B) Internal : The internal pin diameter is .009 inch (0.23mm).

Dimension (C) Dielectric: The dielectric diameter is .029 inch (0.74mm).



**Electrical Specification: T<sub>Ambient</sub> = 25° C**

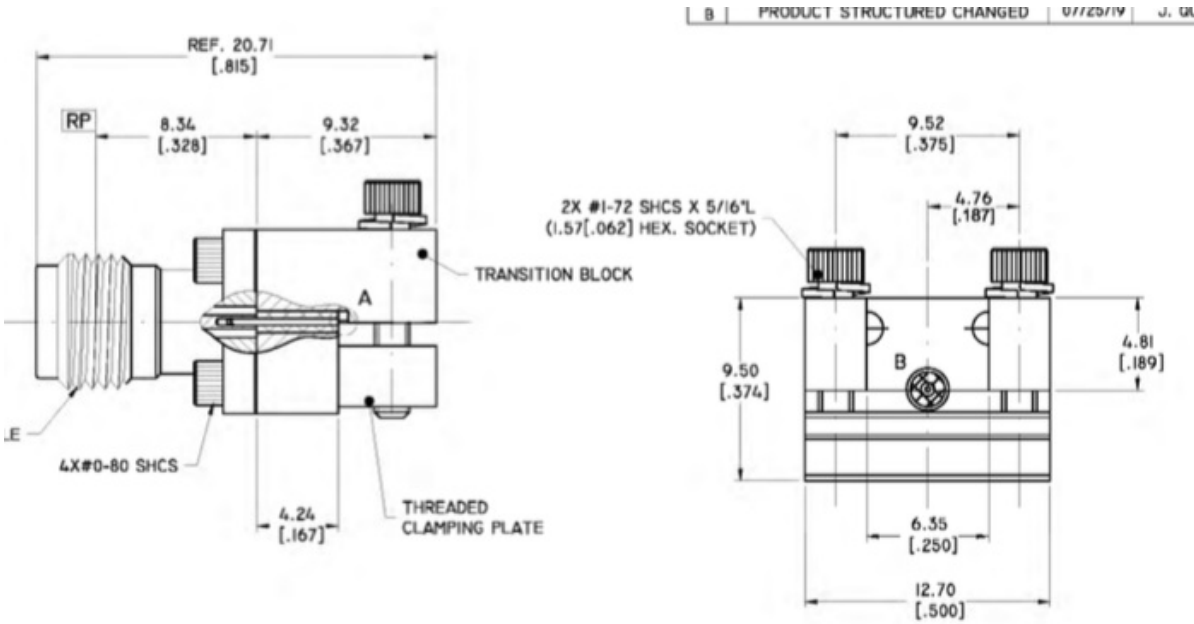
Parameter	Frequency Range	Units	Min	Typical	Max	Notes
Frequency Range		GHz	DC		67.0	
Impedance				50.0		

**Mechanical And Environmental Specifications:**

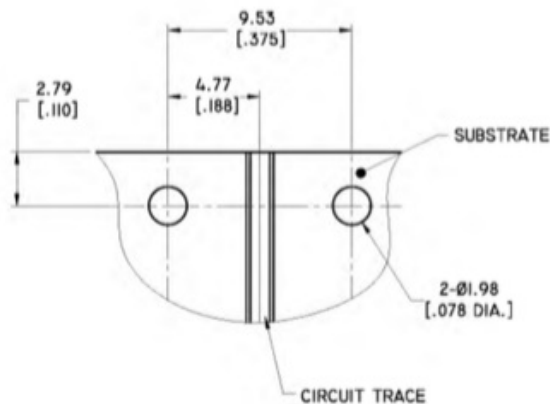
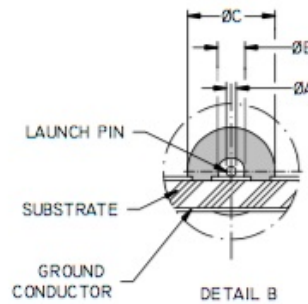
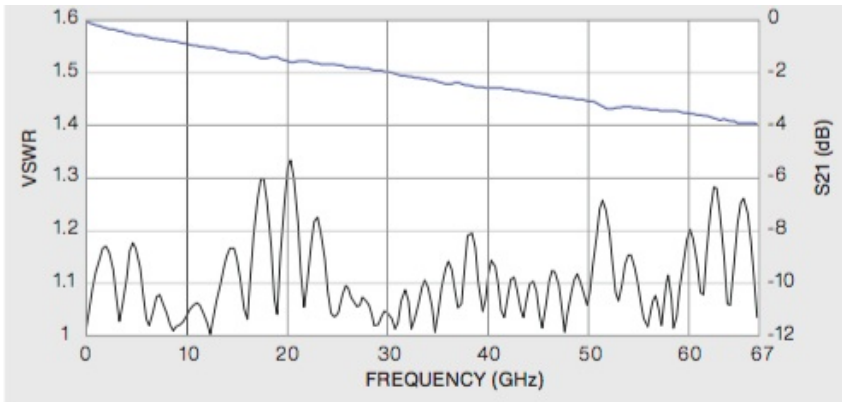
Parameter	Description	Notes
RoHS Compliance	Yes	

**Drawing**

1.85 mm female end launch PCB connector, low profile, .005 inch (0.13mm) diameter pin. Frequency DC to 67 GHz.



**Graph**



**Product Notes**

Mating Torque: 5 to 7 in-lb

PCB mounting: 12 in-oz

Compare to 1892-04A-6