

Product Features

P1CO-18FEL-07/12-LP is a 1.85mm female (jack) 50 Ohm connector that operates to 67 GHz. It is a low profile edge launch connector that offers best electrical match when mating with Microstrip printed circuit boards. This 67 GHz connector is field replaceable (non-solder attachment to PCB). The connector material is passivated stainless steel. Adjustable to accommodate PCB thickness up to 0.100 inch (2.54mm).

Dimension (A) Board: The center contact (pin) diameter is .007 inch (0.18mm).

Dimension (B) Internal : The internal pin diameter is .012 inch (0.31mm).

Dimension (C) Dielectric: The dielectric diameter is .039 inch (0.99mm).



Electrical Specification: T_{Ambient} = 25° C

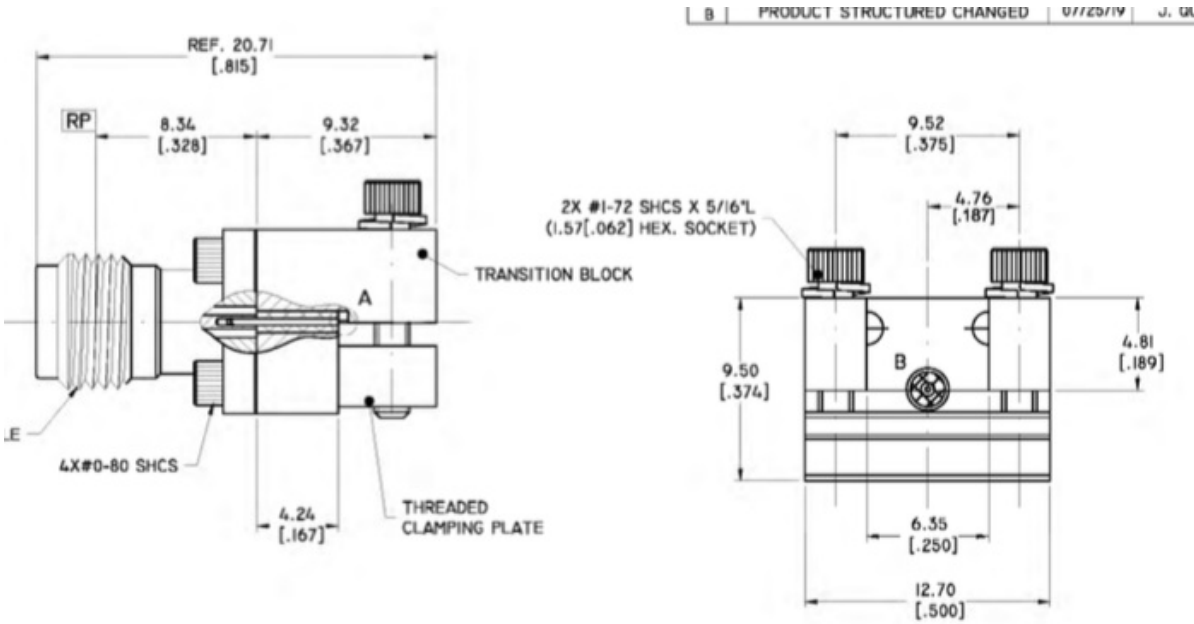
Parameter	Frequency Range	Units	Min	Typical	Max	Notes
Frequency Range		GHz	DC		65.0	
Impedance				50.0		

Mechanical And Environmental Specifications:

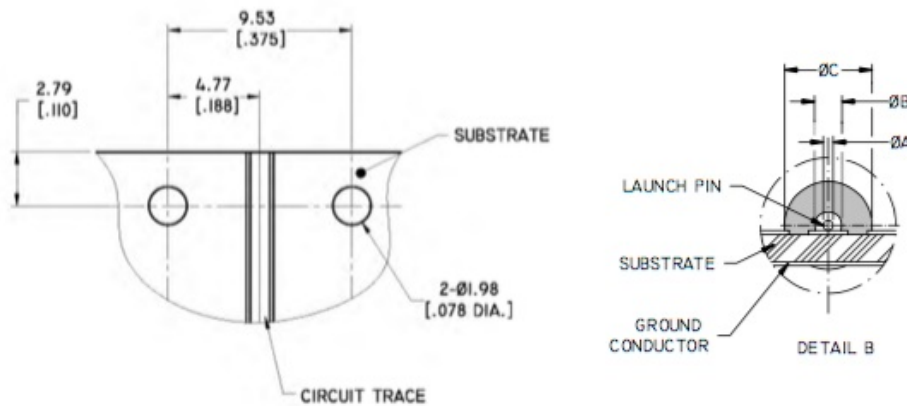
Parameter	Description	Notes
RoHS Compliance	Yes	

Drawing

1.85 mm female end launch PCB connector, low profile, .007 inch (0.18 mm) diameter pin. Frequency to 67 GHz.



Graph



Product Notes

Mating Torque: 5 to 7 in-lb

PCB mounting: 12 in-oz

Compare to 1892-03A-6