

# P1CO-29FEL-07/12

2.92mm female end launch PCB connector, .007 inch (0.18mm) diameter pin. Frequency DC to 40 GHz. Standard profile.

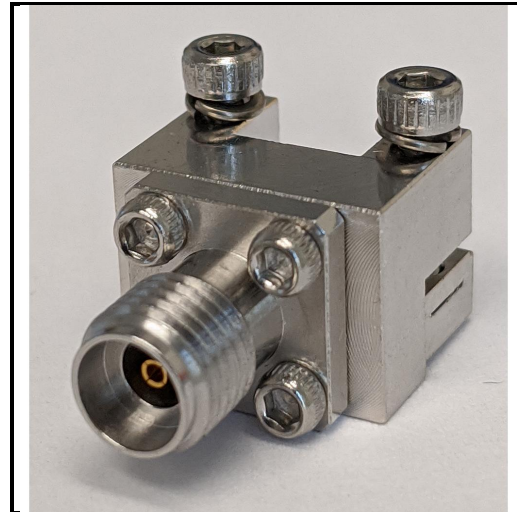
## Product Features

P1CO-29FEL-07/12 is a 2.92mm female (jack) 50 Ohm connector that operates to 40 GHz. It is a standard profile edge launch connector that offers best electrical match when mating with Microstrip printed circuit boards. This 40 GHz connector is field replaceable (non- solder attachment to PCB). The connector material is passivated stainless steel.

Dimension (A) Board: The center contact (pin) diameter is .007 inch (0.18mm).

Dimension (B) Internal : The internal pin diameter is .012 inch (0.31mm).

Dimension (C) Dielectric: The dielectric diameter is .039 inch (0.99mm).



Compare to 1092-04A-6

## Electrical Specification: $T_{\text{Ambient}} = 25^{\circ}\text{C}$

Parameter	Frequency Range	Units	Min	Typical	Max	Notes
Frequency Range		GHz	DC		26.0	
Impedance				50.0		

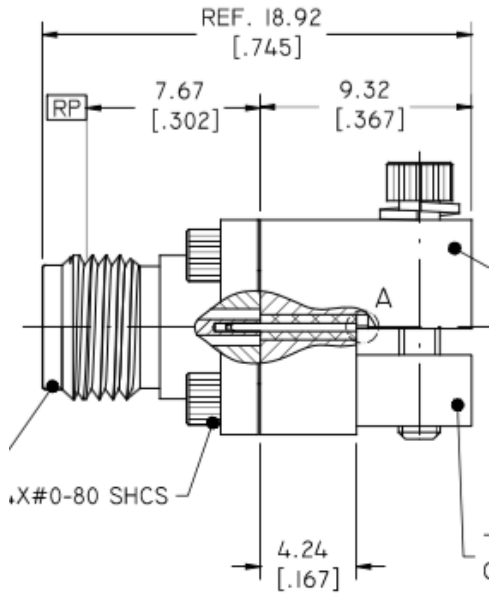
## Mechanical And Environmental Specifications:

Parameter	Description	Notes
RoHS Compliance	Yes	

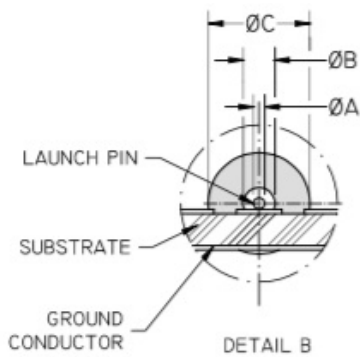
## Drawing

# P1CO-29FEL-07/12

2.92mm female end launch PCB connector, .007 inch (0.18mm) diameter pin. Frequency DC to 40 GHz. Standard profile.



## Graph



## Product Notes

Temp range -55 to +125 deg C.