

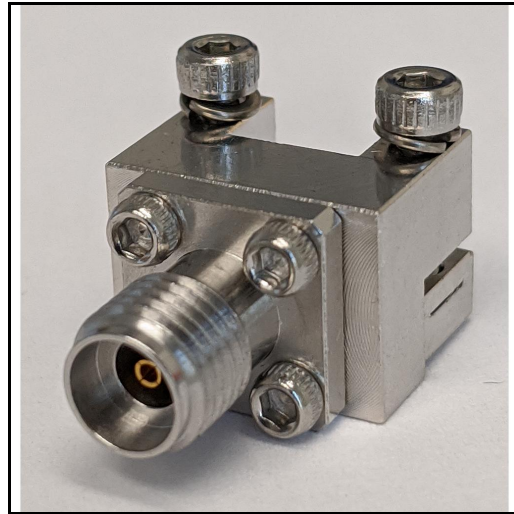
Product Features

P1CO-29FEL-07/12 is a 2.92mm female (jack) 50 Ohm connector that operates to 40 GHz. It is a standard profile edge launch connector that offers best electrical match when mating with Microstrip printed circuit boards. This 40 GHz connector is field replaceable (non- solder attachment to PCB). The connector material is passivated stainless steel.

Dimension (A) Board: The center contact (pin) diameter is .007 inch (0.18mm).

Dimension (B) Internal : The internal pin diameter is .015 inch (0.38mm).

Dimension (C) Dielectric: The dielectric diameter is .048 inch (1.22mm).



Compare to 1092-02A-5

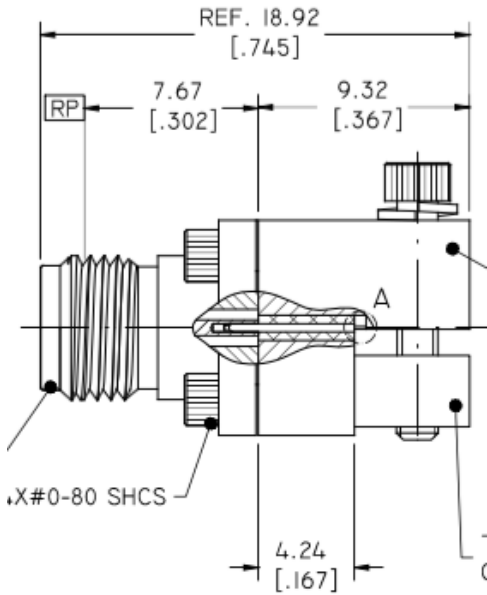
Electrical Specification: T_{Ambient} = 25° C

Parameter	Frequency Range	Units	Min	Typical	Max	Notes
Frequency Range		GHz	DC		40	
Impedance				50.0		

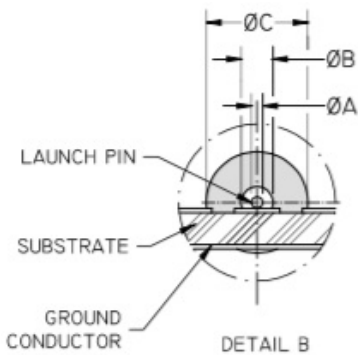
Mechanical And Environmental Specifications:

Parameter	Description	Notes
RoHS Compliance	Yes	

Drawing



Graph



Product Notes

Temp range -55 to +125 deg C.