

Product Features

P1CO-MCXJ-PCB is a 50 Ohm RF connector, MCX jack PCB thru hole solder attach. The MCX jack has a VSWR of 1.25 up to 6 GHz. The connector body is gold plated brass material.



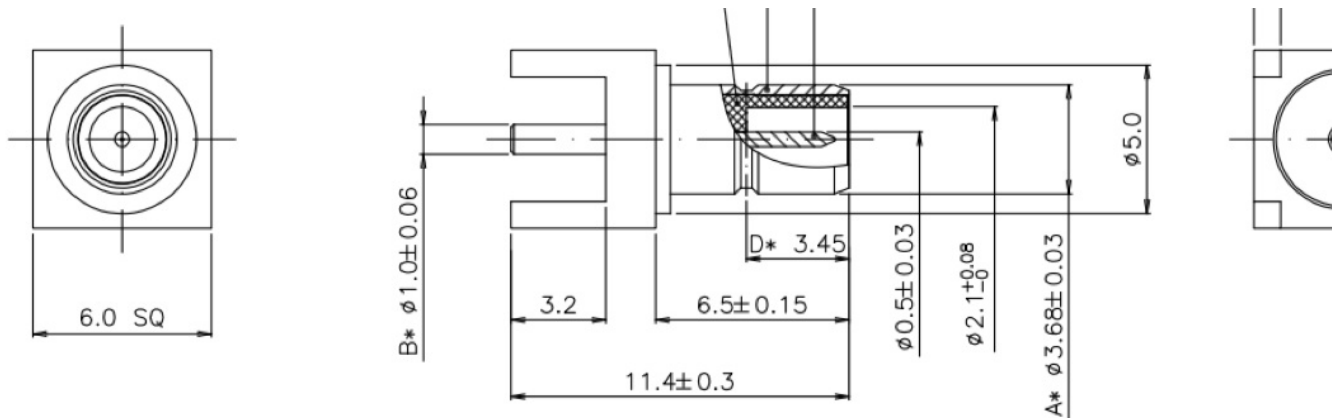
Electrical Specification: T_{Ambient} = 25° C

Parameter	Frequency Range	Units	Min	Typical	Max	Notes
Frequency Range		GHz	DC		6.0	
Impedance				50.0		

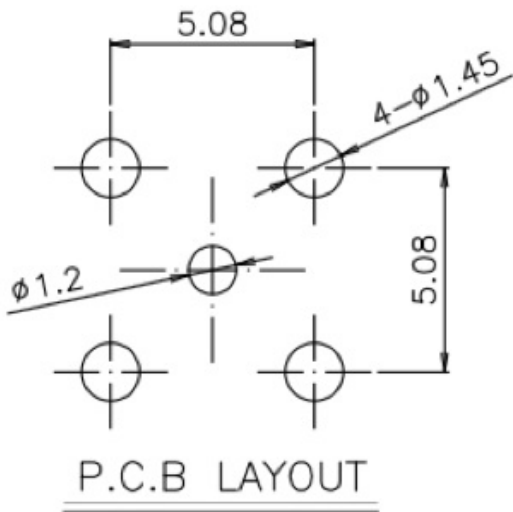
Mechanical And Environmental Specifications:

Parameter	Description	Notes
RoHS Compliance	Yes	

Drawing



Graph



Product Notes

Temp range -65 to +165 deg C.