

# P1CO-SAF2-F012-27G

Connector, SMA Female, 2-Hole Panel Mount, Field Replaceable, Socket for .012 Pin, 27 GHz.

## Product Features

P1dB's P1CO-SAF2-F012-27G is an SMA female 2 hole flange mount connector that mates with a 0.012 inch diameter Pin. This field replaceable SMA connector is designed to operate to 27 GHz with a maximum VSWR of 1.20. The SMA connector body is passivated stainless steel.

The P1CO-SAF2-F012-27G is part of P1dB's family of field replaceable SMA connectors, available in a variety of 2 and 4 hole flange mount configurations.



## Electrical Specification: T<sub>Ambient</sub> = 25° C

Parameter	Frequency Range	Units	Min	Typical	Max	Notes
Frequency Range		GHz	DC		27.0	
Impedance				50.0		

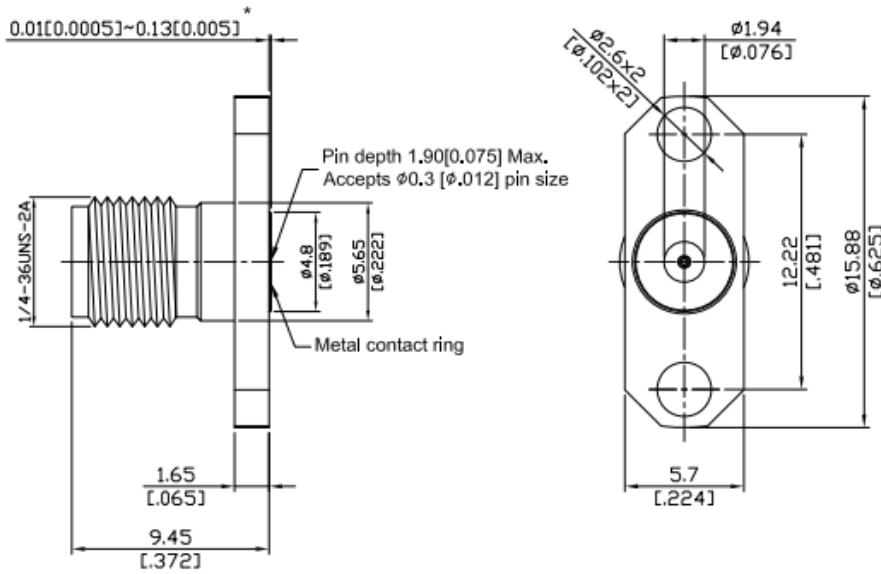
## Mechanical And Environmental Specifications:

Parameter	Description	Notes
RoHS Compliance	Yes	

## Drawing

# P1CO-SAF2-F012-27G

Connector, SMA Female, 2-Hole Panel Mount, Field Replaceable, Socket for .012 Pin, 27 GHz.



\*360° Raised Metal Contact Ring

## Graph

Parts	Material	Plating ( Micro-inch )
Ferrule	Stainless Steel	Passivated
Contact Pin	Beryllium Copper	Gold 20 Over Nickel 50 Over Copper 50
Insulator	Teflon	
Body	Stainless Steel	Passivated

## Product Notes