

Product Features

P1CO-SAF2-F012 is a 50 Ohm RF connector, SMA jack (female) field replaceable design. This is a 2 hole flange mount SMA that mates with a 0.012 inch diameter pin.

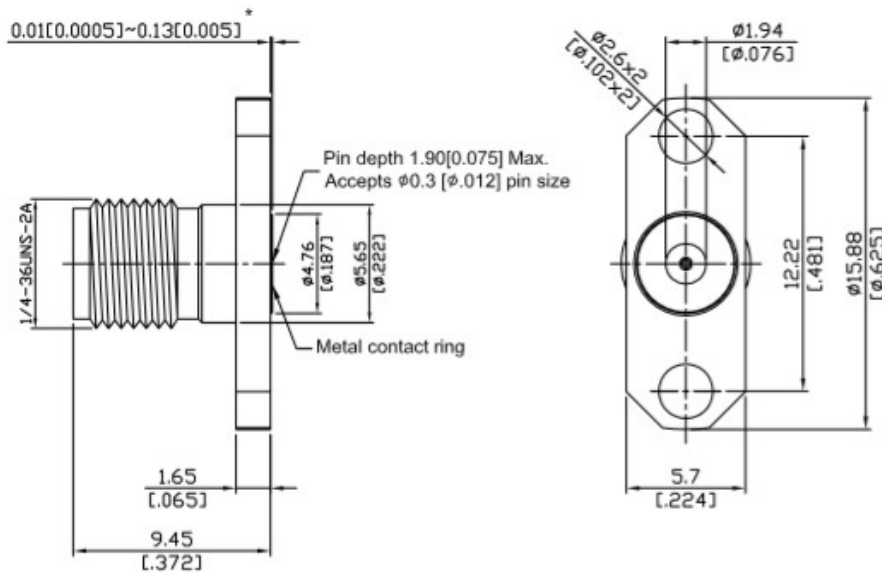
Frequency is DC to 27 GHz.



Mechanical And Environmental Specifications:

Parameter	Description	Notes
RoHS Compliance	Yes	

Drawing



Operating Temp: -65°C/+165°C
VSWR 1.15 : 1 Up To 27GHz
*360° Raised Metal Contact Ring

Connector, SMA Female, 2-Hole Panel Mount, Field Replaceable with Socket for .012
Pin. Frequency DC to 27 GHz. Max VSWR 1.15 up to 27 GHz.

Product Notes