

Product Features

P1dB's P1CO-SAF2-S050-S is a 50 Ohm RF connector. It's an SMA Female 2-hole flange mount design with a solder cup contact. Passivated stainless steel body with epoxy captivated center contact.



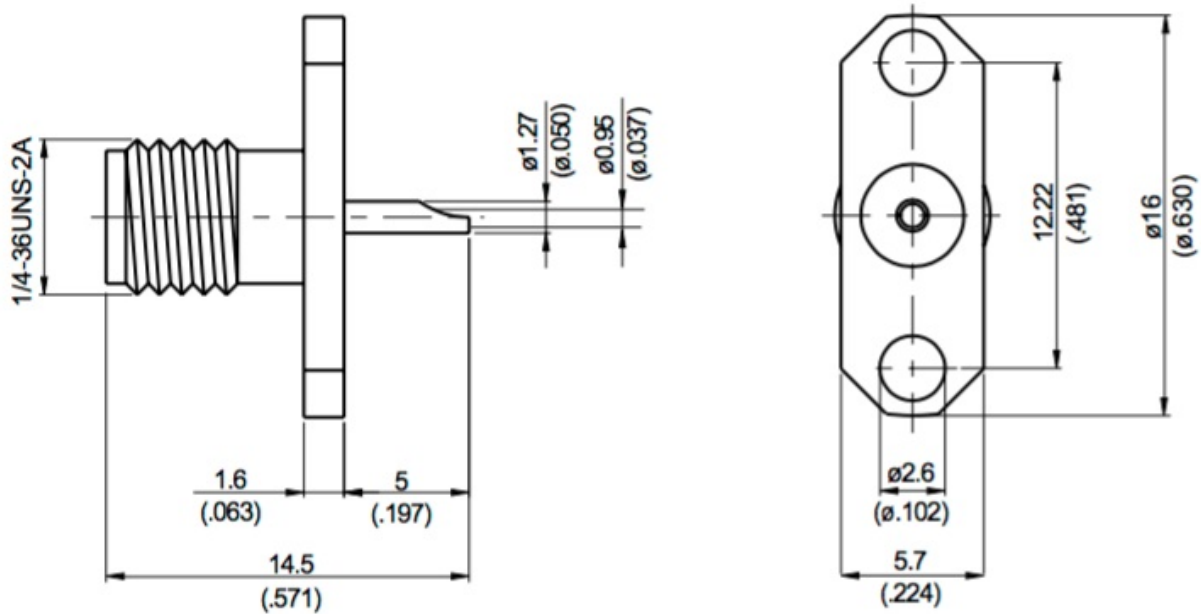
Electrical Specification: T_{Ambient} = 25° C

Parameter	Frequency Range	Units	Min	Typical	Max	Notes
Impedance				50.0		

Mechanical And Environmental Specifications:

Parameter	Description	Notes
RoHS Compliance	Yes	

Drawing



Graph

Parts	Material	Plating (Micro-inch)
Contact Pin	Beryllium Copper	Gold 20 Over Nickel 50 Over Copper 50
Insulator	Teflon	
Body	Stainless	Passivated

Product Notes