

P1CO-SAF4-FE015-27G

Connector, SMA Female, 4-Hole Panel Mount, Field Replaceable with raised metal ring to reduce RF leakage. Mates with a .015 inch pin. Frequency DC to 27 GHz with a 1.15 max VSWR.

Product Features

P1CO-SAF4-FE015-27G is a 50 Ohm RF connector, SMA field replaceable, 4 hole flange mount that mates with a .015 inch pin.

The flange dimensions are 0.50 inch square (12.7mm).

Operating to 27 Ghz with a maximum VSWR of 1.15, the P1CO-SAF4-FE015-27G features a passivated stainless steel body with raised metal contact ring to reduce RF leakage.



Electrical Specification: T_{Ambient} = 25° C

Parameter	Frequency Range	Units	Min	Typical	Max	Notes
Frequency Range		GHz	DC		27.0	
Impedance				50.0		

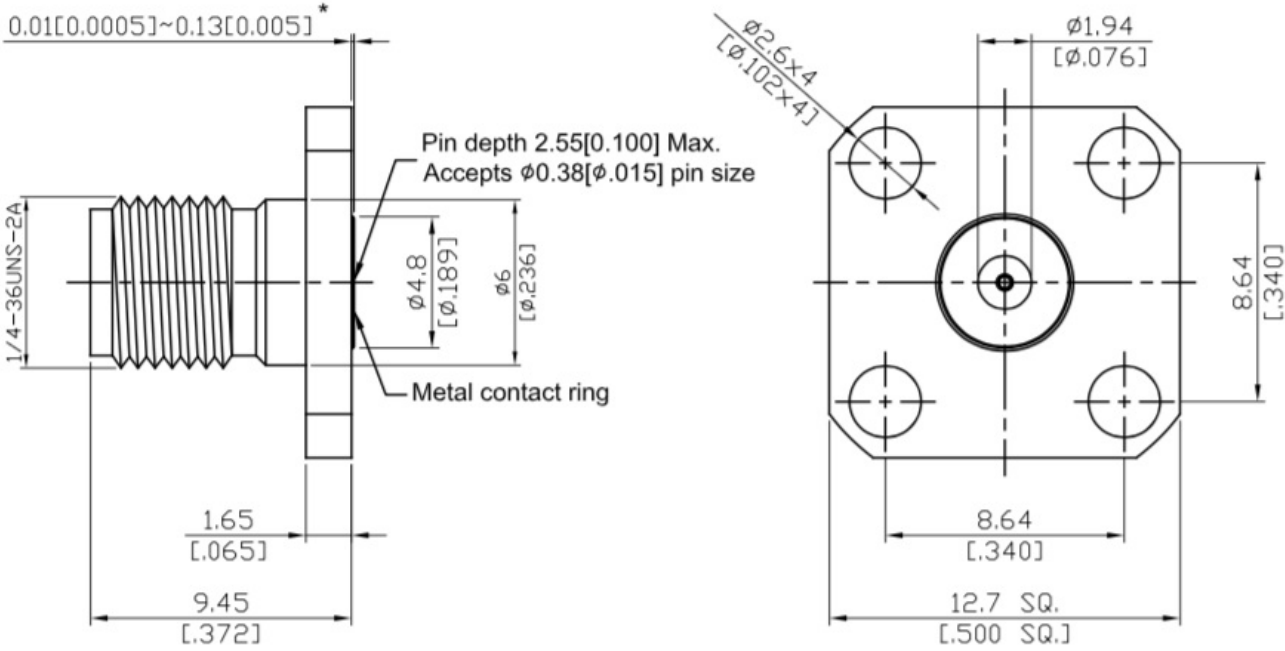
Mechanical And Environmental Specifications:

Parameter	Description	Notes
RoHS Compliance	Yes	

Drawing

P1CO-SAF4-FE015-27G

Connector, SMA Female, 4-Hole Panel Mount, Field Replaceable with raised metal ring to reduce RF leakage. Mates with a .015 inch pin. Frequency DC to 27 GHz with a 1.15 max VSWR.



'360° Raised Metal Contact Ring

Graph

Parts	Material	Plating (Micro-inch)
Metal Contact Ring	Stainless Steel	Passivated
Contact Pin	Beryllium Copper	Gold 4 Over Nickel-Phosphorus Alloy 80 Over Copper 20
Insulator	Teflon	
Body	Stainless Steel	Passivated

Product Notes