

Product Features

P1dB's P1CO-SAF4-FE018-27G is an SMA female 4 hole flange mount connector that mates with a 0.018 inch diameter Pin. This field replaceable SMA connector is designed to operate to 27 GHz with a maximum VSWR of 1.20. The SMA connector body is passivated stainless steel.

The P1CO-SAF4-FE018-27G is part of P1dB's family of field replaceable SMA connectors, available in a variety of 2 and 4 hole flange mount configurations.



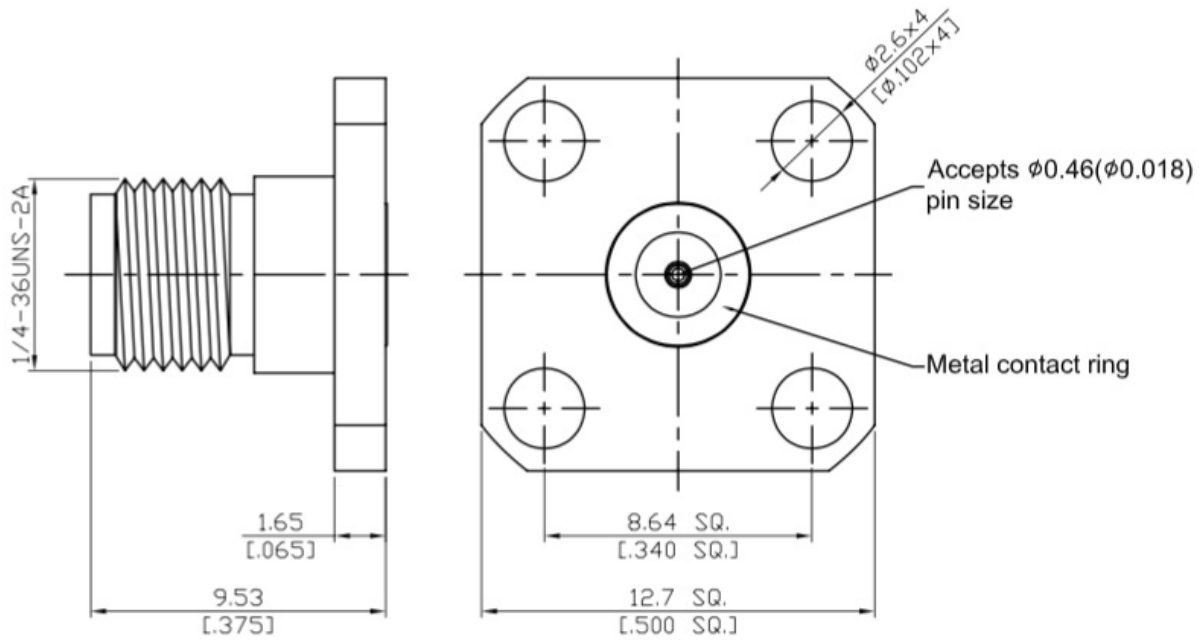
Electrical Specification: T_{Ambient} = 25° C

Parameter	Frequency Range	Units	Min	Typical	Max	Notes
Frequency Range		GHz	DC		27.0	
Impedance				50.0		

Mechanical And Environmental Specifications:

Parameter	Description	Notes
RoHS Compliance	Yes	

Drawing



Graph

VSWR 1.20 : 1 Max up to 27GHz

Parts	Material	Plating (Micro-inch)
Metal Contact Ring	Stainless Steel	Passivated
Contact Pin	Beryllium Copper	Gold 4 Over Nickel-Phosphorus Alloy 80 Over Copper 20
Insulator	Teflon	
Body	Stainless Steel	Passivated

Product Notes