

Product Features

P1CO-SAF4-S050 is a 50 Ohm RF connector, SMA female, 4 hole flange mount, with a solder cup contact. The connector body is gold plated brass. The flange dimension is 0.500 inch (12.7mm) square. The center contact is 0.2 inch (5 mm) length and .050 inch (1.27mm) diameter.

Compare to 132142.



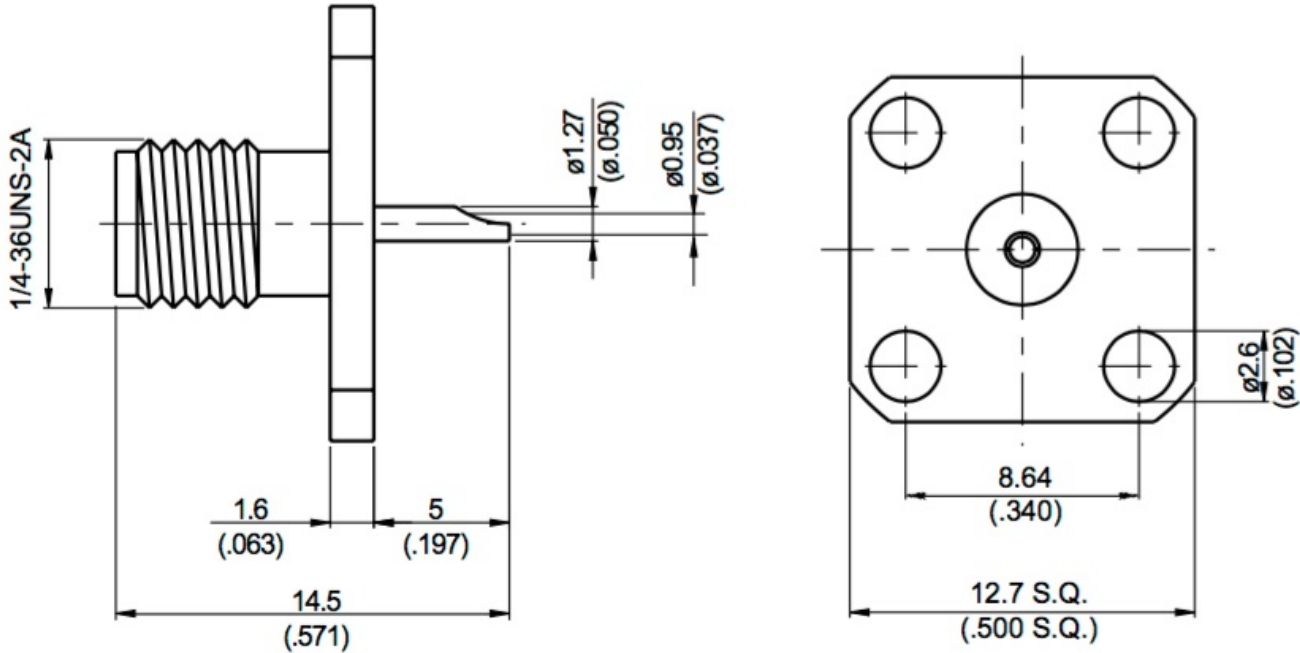
Electrical Specification: T_{Ambient} = 25° C

Parameter	Frequency Range	Units	Min	Typical	Max	Notes
Frequency Range		GHz	DC		12.4	
Impedance				50.0		

Mechanical And Environmental Specifications:

Parameter	Description	Notes
RoHS Compliance	Yes	

Drawing



Graph

Parts	Material	Plating (Micro-inch)
Contact Pin	Beryllium Copper	Gold 20 Over Nickel 50 Over Copper 50
Insulator	Teflon	
Body	Brass	Gold 5 Over Nickel 50 Over Copper 50

Product Notes

Operating temp: -65 to +165 deg C.