

**Product Features**

P1CO-SAFB-RG142 is an RF Connector, SMA Female Bulkhead for RG55, RG142, RG400, RG142-E flexible cable.



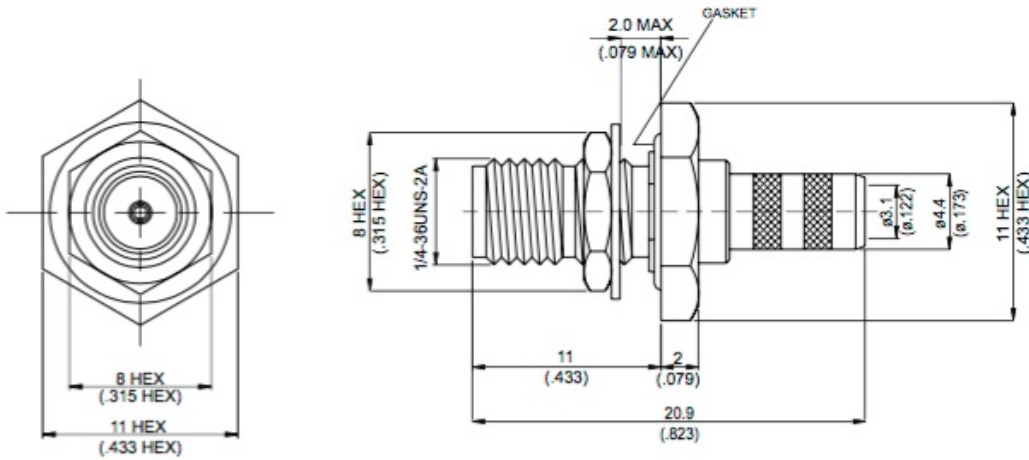
**Electrical Specification:** T<sub>Ambient</sub> = 25° C

Parameter	Frequency Range	Units	Min	Typical	Max	Notes
Frequency Range		GHz	DC		6	
Impedance				50.0		

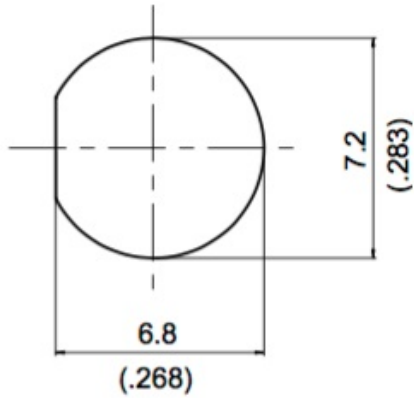
**Mechanical And Environmental Specifications:**

Parameter	Description	Notes
RoHS Compliance	Yes	

**Drawing**



**MOUNTING HOLE :**



Parts	Material	Plating (Micro-inch)
Ferrule	Brass	Gold 5 Over Nickel 50 Over Copper 50
Hex Nut	Brass	Gold 5 Over Nickel 50 Over Copper 50
Lock Washer	Brass	Gold 5 Over Nickel 50 Over Copper 50
Gasket	Silicon	
Contact Pin	Beryllium Copper	Gold 20 Over Nickel 50 Over Copper 50
Insulator	Teflon	
Body	Brass	Gold 5 Over Nickel 50 Over Copper 50

**Product Notes**