

**Product Features**

P1CO-SAFB-RG316 is an RF Connector, SMA Jack Bulkhead Mount.

Crimp mount for RG316 flex cable.



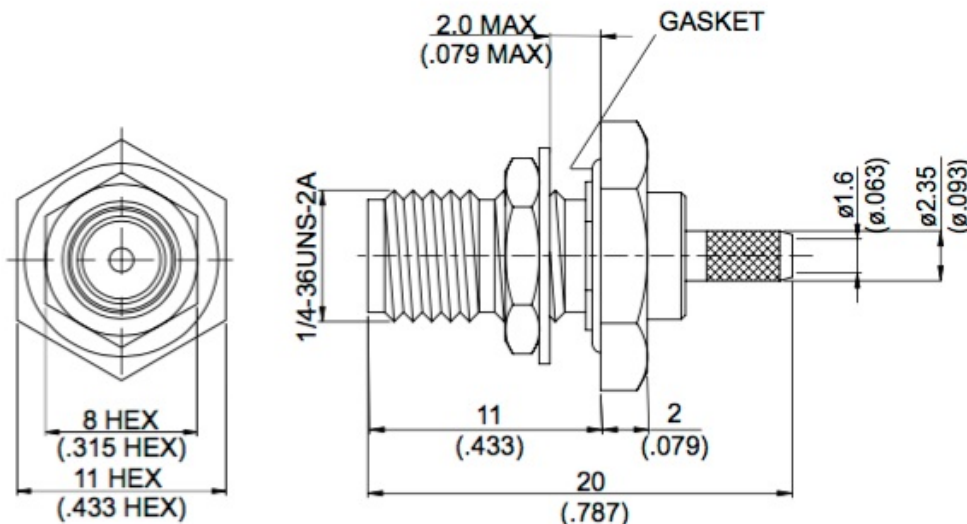
**Electrical Specification: T<sub>Ambient</sub> = 25° C**

Parameter	Frequency Range	Units	Min	Typical	Max	Notes
Frequency Range		GHz	DC		6	
Impedance				50.0		

**Mechanical And Environmental Specifications:**

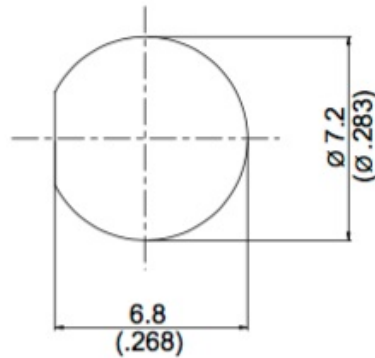
Parameter	Description	Notes
RoHS Compliance	Yes	

**Drawing**



**Graph**

MOUNTING HOLE :



Parts	Material	Plating (Micro-inch)
Ferrule	Brass	Gold 5 Over Nickel 50 Over Copper 50
Hex Nut	Brass	Gold 5 Over Nickel 50 Over Copper 50
Lock Washer	Brass	Gold 5 Over Nickel 50 Over Copper 50
Gasket	Silicon	
Contact Pin	Beryllium Copper	Gold 20 Over Nickel 50 Over Copper 50
Insulator	Teflon	
Body	Brass	Gold 5 Over Nickel 50 Over Copper 50

Weight: 4.24 g

Suitable Cables: RG174, RG188, RG316, RG316-E, RG316-FEP

IP67(Mated)

**Product Notes**