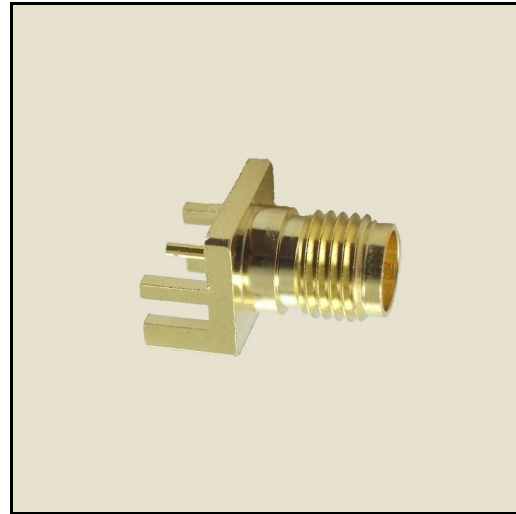


**Product Features**

P1dB's P1CO-SAFE-P031-G048 is a 50 Ohm RF connector that launches to a printed circuit board. The connector is SMA female (jack) and is an edge launch PCB style for a .048 inch (1.22mm) thick board. The SMA body material is gold plated brass and the connector is designed to operate DC to 6 GHz. The center contact pin is 0.031 inch diameter. Overall connector length is 0.559 inch (14.2mm).



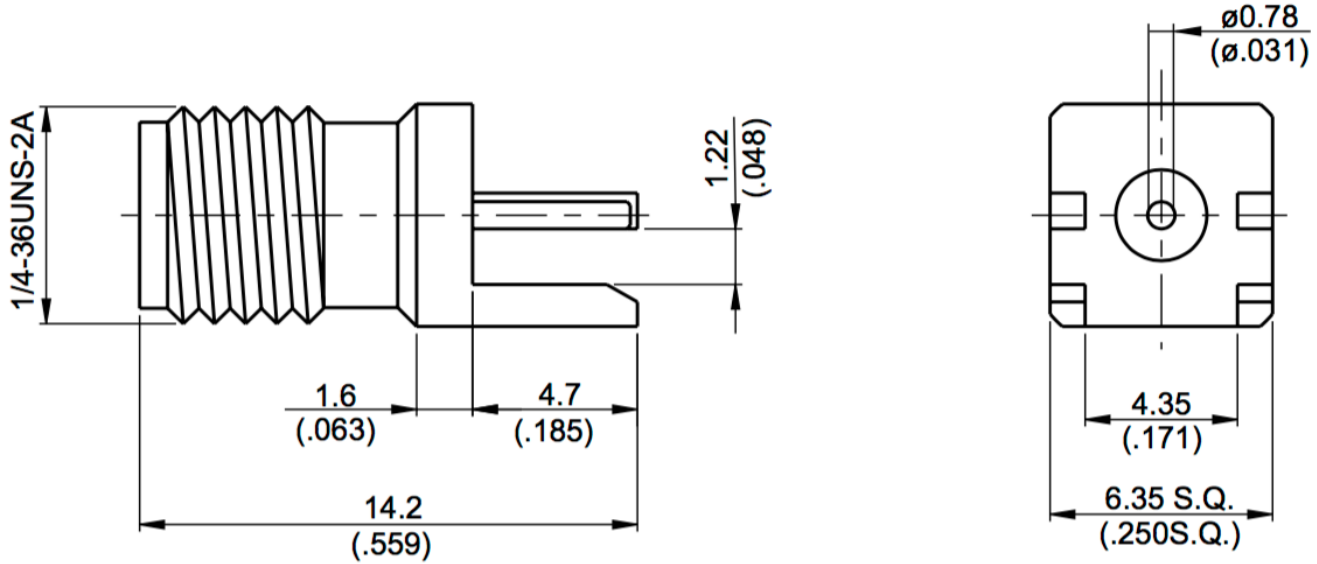
**Electrical Specification: T<sub>Ambient</sub> = 25° C**

Parameter	Frequency Range	Units	Min	Typical	Max	Notes
Frequency Range		GHz	DC		6.0	
Impedance				50.0		

**Mechanical And Environmental Specifications:**

Parameter	Description	Notes
RoHS Compliance	Yes	

**Drawing**



## Product Notes