

Product Features

P1dB's P1CO-SAFE-T020-G068 is a 50 Ohm RF connector that launches to a printed circuit board. The connector is SMA female (jack) and is an edge launch PCB style for a .068 inch (1.73mm) thick board. The SMA body material is gold plated brass and the connector is designed to operate DC to 18 GHz. The center contact is a 0.020 inch (0.5mm) wide tab. Overall connector length is 0.559 inch (14.2mm).



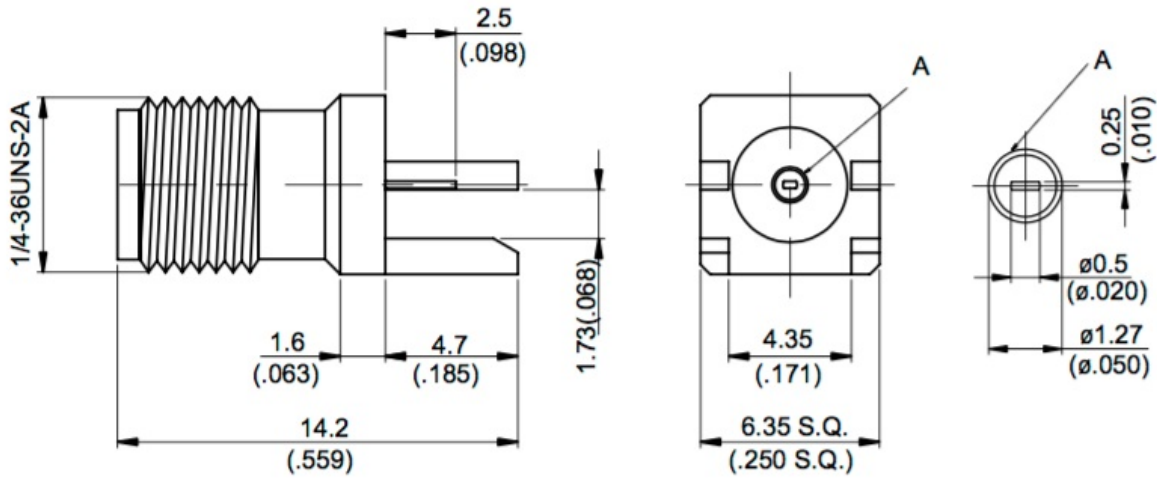
Electrical Specification: T_{Ambient} = 25° C

Parameter	Frequency Range	Units	Min	Typical	Max	Notes
Frequency Range		GHz	DC		18.0	
Impedance				50.0		

Mechanical And Environmental Specifications:

Parameter	Description	Notes
RoHS Compliance	Yes	

Drawing



Graph

Parts	Material	Plating (Micro-inch)
Contact Pin	Beryllium Copper	Gold 20 Over Nickel 50 Over Copper 50
Insulator	Teflon	
Body	Brass	Gold 5 Over Nickel 50 Over Copper 50

Product Notes

Compare to 20-001CF-T

<http://www.aliner.com.tw/productItem.aspx?p=293>