

Product Features

P1CO-SMBJ-PCB is a 50 Ohm RF connector, SMB jack PCB thru hole solder attach. The SMB jack has a VSWR of 1.25 up to 4 GHz. The connector body is gold plated brass material.



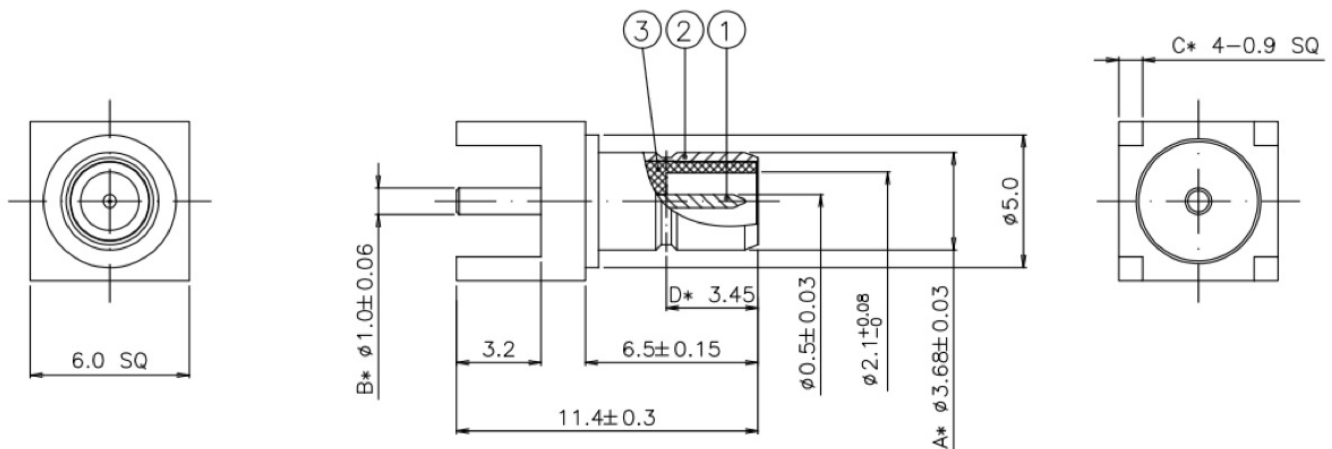
Electrical Specification: T_{Ambient} = 25° C

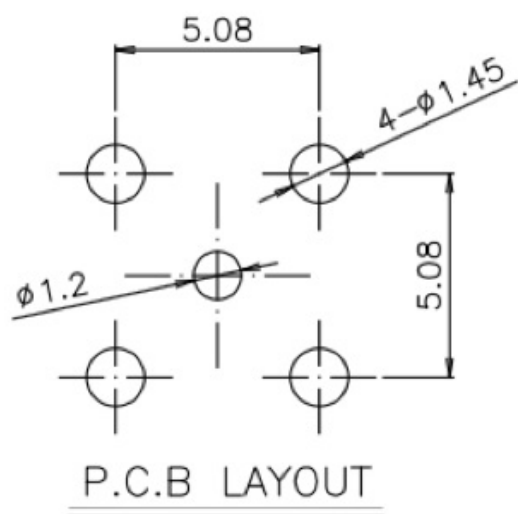
| Parameter | Frequency Range | Units | Min | Typical | Max | Notes |
|-----------------|-----------------|-------|-----|---------|-----|-------|
| Frequency Range | | GHz | DC | | 4.0 | |
| Impedance | | | | 50.0 | | |

Mechanical And Environmental Specifications:

| Parameter | Description | Notes |
|-----------------|-------------|-------|
| RoHS Compliance | Yes | |

Drawing





Product Notes

Temp range -65 to +165 deg C.