

Product Features

P1dB's P1CO-SMBJ-PCBEL is a 50 Ohm SMB jack connector that edge launch mates to a PCB.

The connector body is gold plated brass.



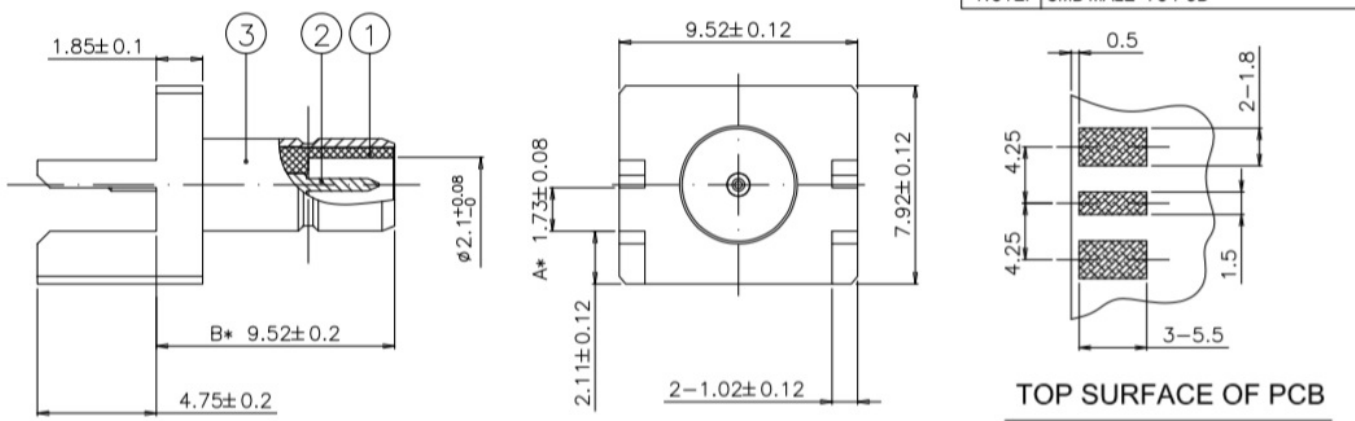
Electrical Specification: T_{Ambient} = 25° C

Parameter	Frequency Range	Units	Min	Typical	Max	Notes
Frequency Range		GHz	DC		4.0	
Impedance				50.0		

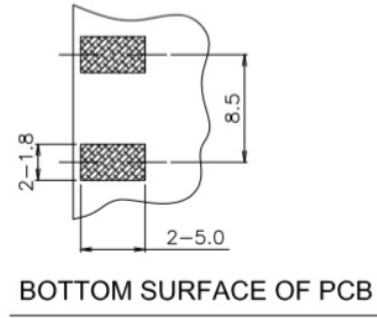
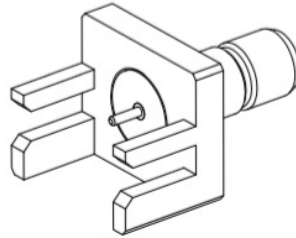
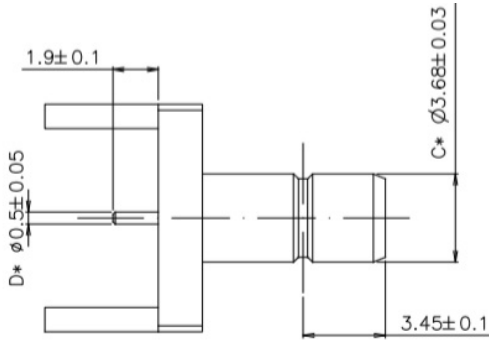
Mechanical And Environmental Specifications:

Parameter	Description	Notes
RoHS Compliance	Yes	

Drawing



Graph



Product Notes

Temp range -65 to +165 deg C.