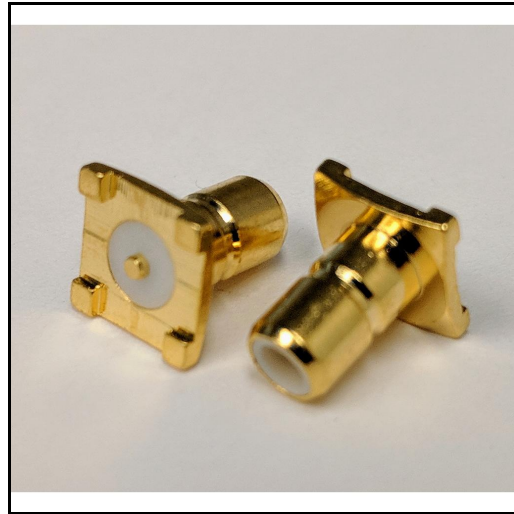


Product Features

P1CO-SMBJ-PCBSM is a 50 Ohm RF connector, SMB jack PCB surface mount solder attach. The SMB jack has a VSWR of 1.30 up to 4 GHz. The connector body is gold plated brass material.



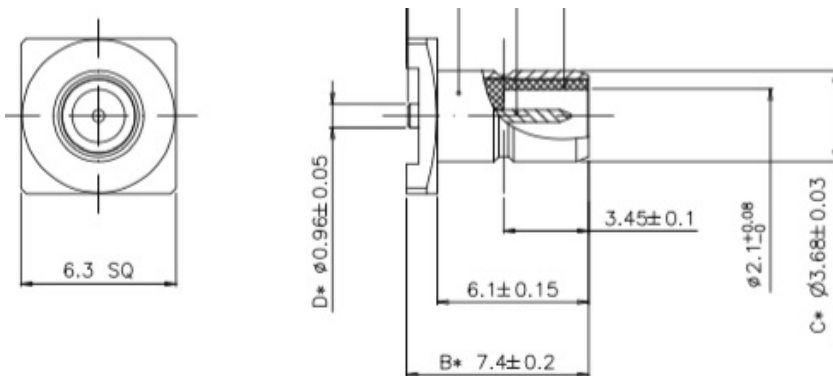
Electrical Specification: T_{Ambient} = 25° C

Parameter	Frequency Range	Units	Min	Typical	Max	Notes
Frequency Range		GHz	DC		4.0	
Impedance				50.0		

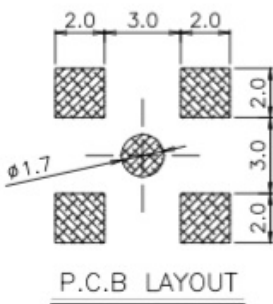
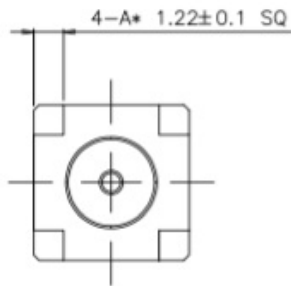
Mechanical And Environmental Specifications:

Parameter	Description	Notes
RoHS Compliance	Yes	

Drawing



Graph



Product Notes

Temp range -65 to +165 deg C.