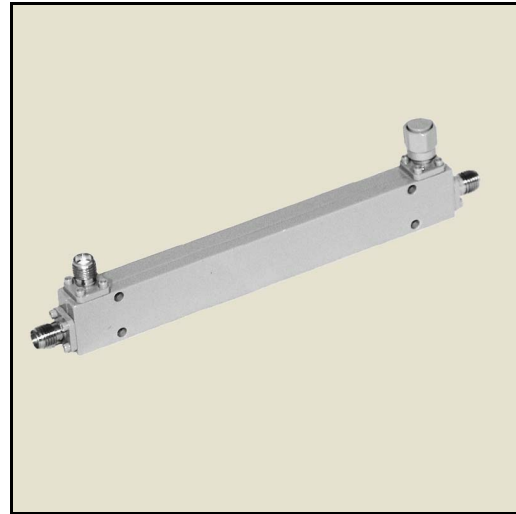


Product Features

P1dB's broadband coupler P1CP-SAF-0208G50W-30 is 50 Ohm directional coupler with SMA connectors. This 30 dB directional coupler operates over a frequency range 2 to 8 GHz with power handling up to 50W.



Mechanical And Environmental Specifications:

Parameter	Description	Notes
RoHS Compliance	Yes	

Product Notes