

**Product Features**

P1dB's P1DB-SMAJ-BLKHD is a 50 Ohm RF connector, SMA female (jack) for bulkhead mount. The connector body is gold plated brass and overall length is 0.610 inch (15.5mm). The center contact is 0.020 inch (0.5mm) diameter and is 0.079 inch (2mm) long.



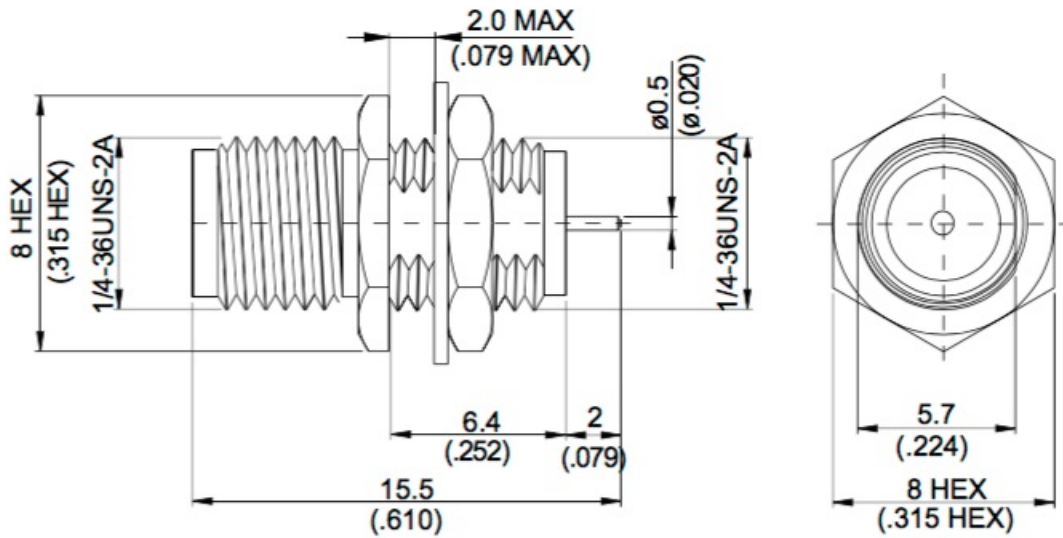
**Electrical Specification: T<sub>Ambient</sub> = 25° C**

Parameter	Frequency Range	Units	Min	Typical	Max	Notes
Impedance				50.0		

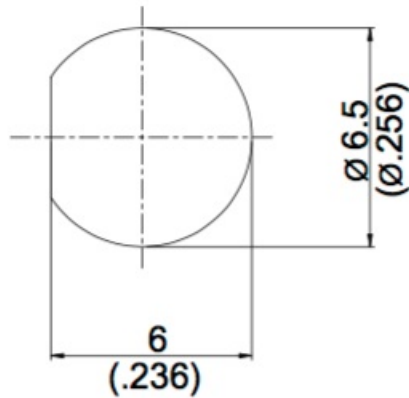
**Mechanical And Environmental Specifications:**

Parameter	Description	Notes
RoHS Compliance	Yes	

**Drawing**



**MOUNTING HOLE :**



Graph

Parts	Material	Plating (Micro-inch)
Hex Nut	Brass	Gold 5 Over Nickel 50 Over Copper 50
Lock Washer	Brass	Gold 5 Over Nickel 50 Over Copper 50
Contact Pin	Beryllium Copper	Gold 20 Over Nickel 50 Over Copper 50
Insulator	Teflon	
Body	Brass	Gold 5 Over Nickel 50 Over Copper 50

**Product Notes**