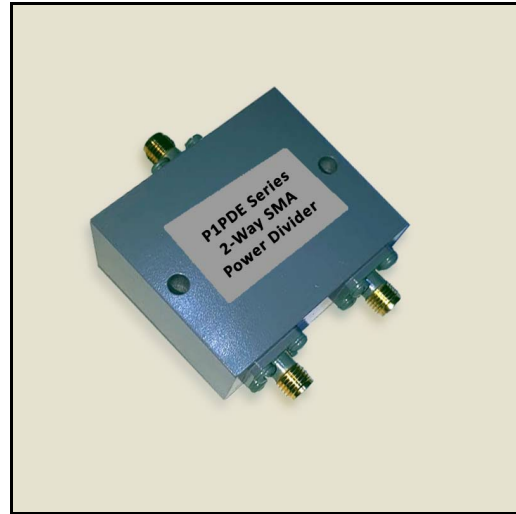


Product Features

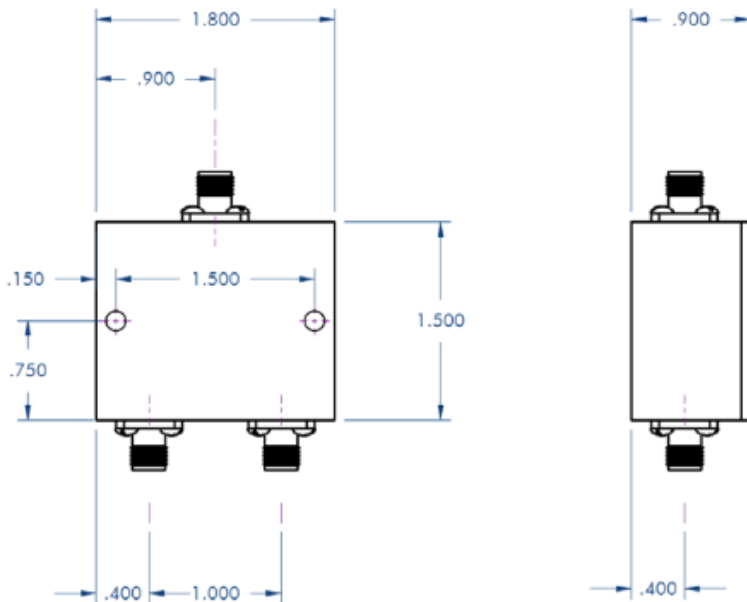
P1PD-SAF-0R72R7G30W-2 is a 50 Ohm 2-way coaxial Power Divider. Covering the 700 MHz to 2.7 GHz frequency band, this device can handle up to 30 Watts average power. It is a Wilkinson design with SMA female connectors. Max Insertion Loss is 0.5 dB and Isolation is 22 dB minimum.



Mechanical And Environmental Specifications:

Parameter	Description	Notes
RoHS Compliance	Yes	

Drawing



Product Notes