

# P1TR-18F-67G1W

RF Termination, 1.85 mm Female, 1 Watt. Frequency DC to 67 GHz, VSWR 1.35 max.

## Product Features

P1TR-18F-67G1W is a 50 Ohm RF termination, 1.85mm female.

Frequency is DC to 67 GHz.

Power Handling 1 Watt.

Max VSWR 1.35.



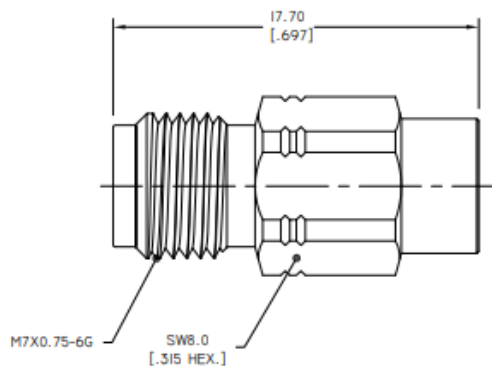
Electrical Specification:  $T_{\text{Ambient}} = 25^{\circ}\text{C}$

Parameter	Frequency Range	Units	Min	Typical	Max	Notes
Frequency Range		GHz	DC		67	

Mechanical And Environmental Specifications:

Parameter	Description	Notes
RoHS Compliance	Yes	

Drawing



# P1TR-18F-67G1W

RF Termination, 1.85 mm Female, 1 Watt. Frequency DC to 67 GHz, VSWR 1.35 max.



## Product Notes

Temp range -55 to +125 deg C.